

## **BLINK SOLAR**

# **Energy storage operation mode of new energy power station**



## Overview

---

How energy storage system model is related to new energy stations?

The establishment of an energy storage system model is related to the revenue of new energy stations. This paper starts from the energy storage revenue model and energy storage cost model, and refines the energy storage system model.

What are the operating models of energy storage stations?

Typically, based on differences in regulatory policies and electricity price mechanisms at different times, the operation models of energy storage stations can be categorized into three types: grid integration, leasing, and independent operation.

How can energy storage improve the operation of new energy stations?

The configuration of energy storage in new energy stations can effectively improve the operational efficiency of new energy stations, promote the consumption of new energy, and ensure the normal and stable operation of new energy stations. Currently, research on energy storage is also a hot topic [18, 19, 20, 21, 22, 23].

What is a new energy station?

New energy stations include renewable energy sources such as wind power and photovoltaic, gas turbine power generation, and energy storage system charging and discharging. During the normal operation of new energy stations, each equipment must meet its own constraints.

## Energy storage operation mode of new energy power station

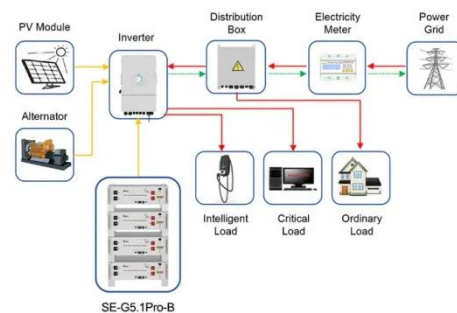


### New Energy Storage Technologies Empower Energy ...

In terms of developments in China, 19 members of the National Power Safety Production Committee operated a total of 472 electrochemical storage stations as of the end of ...

### Research on Optimization of Operation Strategy for Independent New

Finally, by introducing a cost allocation coefficient, a flexible cost-sharing mechanism for energy storage is established, enabling dynamic optimization of the operation costs of energy storage ...



Application scenarios of energy storage battery products

### Energy storage optimal configuration in new energy stations ...

The energy storage revenue has a significant impact on the operation of new energy stations. In this paper, an optimization method for energy storage is proposed to solve ...



---

## Configuration and operation model for integrated energy power station

Integration of energy storage in wind and photovoltaic stations improves power balance and grid reliability. A two-stage model optimizes configuration and operation, ...



---

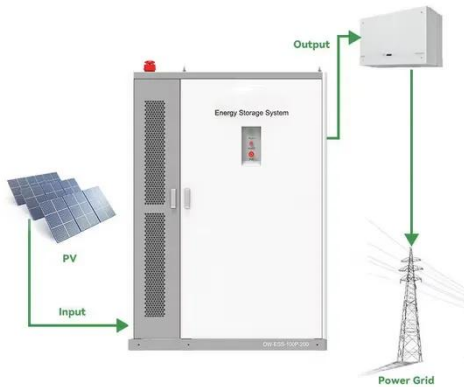
## Energy Storage Configuration and Benefit Evaluation Method for New

In the context of increasing renewable energy penetration, energy storage configuration plays a critical role in mitigating output volatility, enhancing absorption rates, and ...

---

## Research on the optimization strategy for shared energy storage

Literature [4] explores the connection strategies between power stations and energy storage, constructing a decision-making model for energy storage planning aimed at ...



## An Energy Storage Configuration Method for New Energy Power Station

New energy power stations will face problems such as random and complex occurrence of different scenarios, cross-coupling of time series, long solving time of traditional ...

## Energy Storage Operation Modes in Typical Electricity ...

As the Chinese government proposes ambitious plans to promote low-carbon transition, energy storage will play a pivotal role in China's future power system. However, due ...



## Research on the Operation Mode of Shared Energy Storage of New Energy

With the abolition of mandatory energy storage allocation policies for large-scale new energy stations, centralized shared energy storage has become a key means to reduce ...



## Commercial operation mode of shared energy storage ...

The sharing economy mode can promote an optimal allocation and utilization of resources, and its integration with the energy storage and renewable energy can improve their ...



## Contact Us

For catalog requests, pricing, or partnerships, please contact:

### BLINK SOLAR

Phone: +48-22-555-9876

Email: [info@blinkartdesign.pl](mailto:info@blinkartdesign.pl)

Website: <https://www.blinkartdesign.pl>

Scan QR code to visit our website:

