

BLINK SOLAR

Energy storage factory is a new type of energy storage



Overview

How will China promote the new-type energy storage manufacturing sector?

BEIJING, Feb. 17 -- Chinese authorities unveiled several measures on Monday to promote the new-type energy storage manufacturing sector, as part of efforts to accelerate the development of emerging industries and the country's modern industrial system.

What is the new-type energy storage manufacturing industry?

According to an action plan jointly issued by the Ministry of Industry and Information Technology and seven other government organs, the new-type energy storage manufacturing industry refers to the sector that produces energy storage, information processing, safety control, and other products related to new energy storage methods.

Why are energy storage technologies important?

They are also strategically important for international competition. KPMG China and the Electric Transportation & Energy Storage Association of the China Electricity Council ('CEC') released the New Energy Storage Technologies Empower Energy Transition report at the 2023 China International Energy Storage Conference.

Will the energy storage industry thrive in the next stage?

The energy storage industry is going through a critical period of transition from the early commercial stage to development on a large scale. Whether it can thrive in the next stage depends on its economics.

Energy storage factory is a new type of energy storage

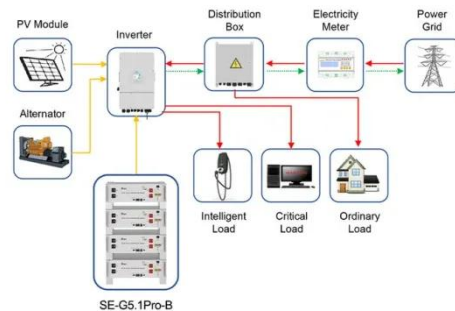


New-type energy storage poised to fuel China's growth

Megapack is an electrochemical energy storage device that uses lithium batteries, a dominant technical route in the new-type energy storage industry. Tesla's vice-president Tao ...

China unveils plan to boost new-type energy storage by 2027

The plan focuses on technological innovation, including the upgrading of lithium batteries and support for disruptive technologies. China's Ministry of Industry and Information ...



Application scenarios of energy storage battery products



Energy storage poised to fuel China's growth-Xinhua

China's installed capacity of new-type energy storage exceeded that of pumped storage for the first time at the end of 2024, according to the recent data release of China ...

China powers up nation's largest standalone battery storage ...

A 500 MW/2,000 MWh standalone battery energy storage system (BESS) in Tongliao, Inner Mongolia, has begun commercial operation following a five-month construction ...



2025 Two Session Buzzwords: "New-type ...

This year, "new-type energy storage" has emerged as a buzzword. Unlike traditional energy, new energy sources typically ...

China unveils plan to boost new-type energy ...

The plan focuses on technological innovation, including the upgrading of lithium batteries and support for disruptive technologies. ...



2025 Two Session Buzzwords: "New-type energy storage"

This year, "new-type energy storage" has emerged as a buzzword. Unlike



traditional energy, new energy sources typically fluctuate with natural conditions. Advanced ...

Tesla Gears Up for the Energy Storage Revolution with ...

Tesla's Shanghai Megafactory represents a significant advancement in the company's energy storage capabilities, with construction slated for completion by the end of ...



Tesla's Shanghai energy storage megafactory ...

The new plant is dedicated to manufacturing Megapacks, Tesla's energy-storage batteries, with mass production expected to ...

China unveils measures to bolster new-type energy storage ...

Chinese authorities unveiled several measures on Monday to promote the

new-type energy storage manufacturing sector, as part of efforts to accelerate the development of ...



New Energy Storage Technologies Empower Energy ...

Foreword Stepping up efforts to develop new energy storage technologies is critical in driving renewable energy adoption, achieving China's 30/60 carbon goals, and ...

Tesla's Shanghai energy storage megafactory begins trial ...

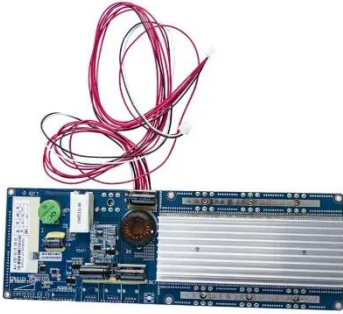
The new plant is dedicated to manufacturing Megapacks, Tesla's energy-storage batteries, with mass production expected to commence fully in the first quarter of 2025, Tesla ...



China leads the world in new-type energy storage capacity

"China's advances in new-type energy storage are moving from isolated

breakthroughs to a more systematic framework," said Rao Hong, chief scientist at China ...



Contact Us

For catalog requests, pricing, or partnerships, please contact:

BLINK SOLAR

Phone: +48-22-555-9876

Email: info@blinkartdesign.pl

Website: <https://www.blinkartdesign.pl>

Scan QR code to visit our website:

