

## BLINK SOLAR

# Energy storage cabinet installation solution



## Overview

---

What is the Energy Cabinet?

Smart Management and Convenience Intelligent Monitoring System: Integrated with a smart monitoring system, the Energy Cabinet provides real-time battery status, system performance, and safety monitoring, enabling remote supervision and fault diagnosis for streamlined operations.

What types of energy storage solutions do you offer?

We offer commercial and industrial energy storage system solutions. Our air-cooling and liquid-cooling ess cabinets are safe, all-in-one solutions that are easy to maintain. Designed to meet a variety of energy storage needs, click to learn more about how our energy storage solutions can benefit your business.

Why should you choose Huijue energy storage cabinet?

As a leading innovator in advanced energy systems, Huijue ensures that this cutting-edge system seamlessly supplies sustainable energy for critical operations, transforming the way industries manage their energy needs. Why choose Our energy storage cabinet?

.

What is a residential energy storage system?

Our residential energy storage systems allow homeowners to store the energy produced by their solar panels during the day and use it at night or during periods of low sunlight. With our energy storage systems, residents can reduce their dependence on the grid and enjoy greater energy independence.

## Energy storage cabinet installation solution

### How to correctly install lithium battery energy storage cabinet?



Lithium battery energy storage cabinets can meet the needs of different large-scale projects and are very suitable for grid auxiliary services and industrial and commercial ...

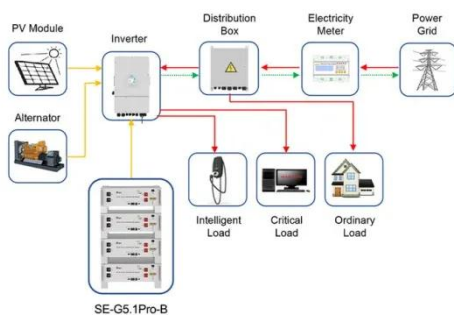
### Energy storage cabinets: Durable design excellence

The physical design of an energy storage cabinet impacts its installation, usability, and longevity. Look for units with a robust construction, often featuring durable metallic chassis.



### Leading Energy Storage System Integrator

We provide advanced commercial and industrial (C& I) energy storage solutions. Our air-cooled and liquid-cooled ESS cabinets are engineered as safe, fully integrated systems ...



SE-G5.1Pro-B

Application scenarios of energy storage battery products

## All-in-One Energy Storage Cabinet & BESS Cabinets

AZE's All-in-One Energy Storage Cabinet & BESS Cabinets offer modular, scalable, and safe energy storage solutions. Featuring lithium-ion batteries, smart BMS, and thermal ...



## Energy storage cabinet

Energy Cabinet Huijue proudly presents its revolutionary Energy Cabinet, a pioneering energy storage solution that redefines industrial power backup and management. With its integration ...

## All-in-One Energy Storage Cabinet & BESS ...

AZE's All-in-One Energy Storage Cabinet & BESS Cabinets offer modular, scalable, and safe energy storage solutions. Featuring lithium-ion ...



## How to correctly install lithium battery energy ...

Lithium battery energy storage cabinets can meet the needs of different large-

scale projects and are very suitable for grid auxiliary ...



---

## The Ultimate Guide to Energy Storage Cabinet Installation ...

With the global energy storage market projected to hit \$546 billion by 2035 according to BloombergNEF, getting installation right isn't just smart - it's crucial for safety and system ...



---

## Shanghai ZOE Energy Storage Technology Co., Ltd.

Shanghai ZOE Energy Storage Technology Co., Ltd., established in 2022, is dedicated to providing global users with safe, efficient, and intelligent energy storage product system ...

---

## How to Install Energy Storage Cabinets? , Huijue Group E-Site

With global energy storage deployments projected to reach 387 GWh by 2030,

proper installation of energy storage cabinets has become mission-critical. But why do 43% of commercial ...



### **Cabinet Energy Storage System , VREMT**

Discover our high-efficiency, modular battery systems with zero capacity loss and rapid multi-cabinet response. Ideal for industrial, commercial, and ...

### **Cabinet Energy Storage System , VREMT**

Discover our high-efficiency, modular battery systems with zero capacity loss and rapid multi-cabinet response. Ideal for industrial, commercial, and emergency applications, our solutions ...



### **Step-by-Step Solar Battery Cabinet Installation Guide**

The global energy landscape is undergoing a transformative shift driven

by escalating energy demands and rapid advancements in renewable energy technologies. ...



---

## Contact Us

---

For catalog requests, pricing, or partnerships, please contact:

### **BLINK SOLAR**

Phone: +48-22-555-9876

Email: [info@blinkartdesign.pl](mailto:info@blinkartdesign.pl)

Website: <https://www.blinkartdesign.pl>

*Scan QR code to visit our website:*

