

BLINK SOLAR

Energy companies offer discounts on 2MWh energy storage containers



Overview

What is a populated 20ft NWI liquid-cooling energy storage container?

*Specification of Battery Rack The populated 20ft NWI liquid-cooling energy storage container is an integrated high energy density system, which consists of battery rack system (280Ah LFP cell), BMS (battery management system), FSS (fire suppression system), thermal management system and auxiliary distribution system.

What energy storage container solutions does SCU offer?

SCU provides 500kwh to 2mwh energy storage container solutions. Power up your business with reliable energy solutions. Say goodbye to high energy costs and hello to smarter solutions with us.

What is energy storage container?

SCU uses standard battery modules, PCS modules, BMS, EMS, and other systems to form standard containers to build large-scale grid-side energy storage projects.

What is a polinovel 2mwh commercial energy storage system?

Max. Efficiency Get your Exclusive Offer! Polinovel 2MWH commercial energy storage system (ESS) is tailored for high-capacity power storage, ideal for large-scale renewable energy generation, PV self-consumption, off-grid applications, peak shaving, and emergency backup power.

Energy companies offer discounts on 2MWh energy storage contain

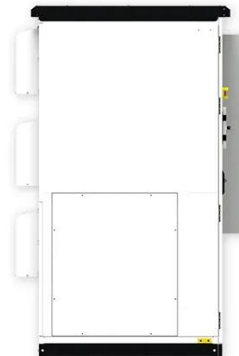


Ess Container 500kw 1MW 2MW 3MW ...

Ess Container 500kw 1MW 2MW 3MW Battery Energy ...

1MW 2MWH Battery Storage Containers

Description The HMX-BESS-10002000 is a high-performance large battery storage containers designed for industrial, commercial, and utility-scale applications. With a rated power of ...



Ess Container 500kw 1MW 2MW 3MW Battery Energy Storage ...

Ess Container 500kw 1MW 2MW 3MW Battery Energy Storage System Battery Container, Find Details and Price about 1mwh Battery Storage 2mwh Battery Storage from ...



2MWH Containerized Solar Battery Storage ...

Polinovel 2MWH commercial energy storage system (ESS) is tailored for high-capacity power storage, ideal for large-scale renewable ...

Lithium Solar Generator: \$150



Energy storage container, BESS container

Bluesun provides 500 kwh to 2 mwh energy storage container solutions. Power up your business with reliable energy solutions.

Energy storage container, BESS container

SCU provides 500kwh to 2mwh energy storage container solutions. Power up your business with reliable energy solutions. Say goodbye to high energy costs and hello to smarter ...



Containerized Battery Energy Storage Systems (BESS)

Our's Containerized Battery Energy Storage Systems (BESS) offer a



streamlined, modular approach to energy storage. Packaged in ISO-certified containers, our Containerized BESS ...

20ft 2MWh Outdoor Liquid-Cooling lithium ion battery storage container

20ft 2MWh Outdoor Liquid-Cooled Li-ion Battery Container: Advanced thermal management, weatherproof design. Ideal for renewables, grid support, and peak shaving. ...



1MW/2MWh Energy Storage Container System

We use standard chassis and containers that can flexibly match system energy according to customer needs. Our products cover energy storage systems, thermal ...



20GP Energy Storage Container , FFD Power

The FFD Power Energy Storage Container is redefining the shape of future energy.

We've integrated high-performance SOLE 15000 lithium-ion ...

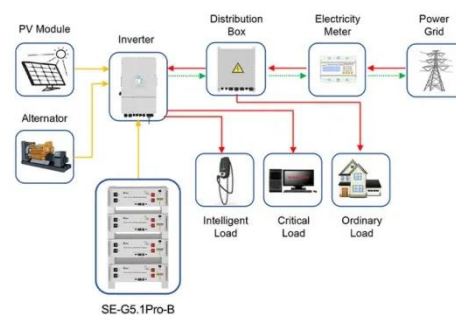


20ft 2MWh Outdoor Liquid-Cooling lithium ...

20ft 2MWh Outdoor Liquid-Cooled Li-ion Battery Container: Advanced thermal management, weatherproof design. Ideal for ...

1MW/2MWh Energy Storage Container ...

We use standard chassis and containers that can flexibly match system energy according to customer needs. Our products cover energy ...



Application scenarios of energy storage battery products

2MWh Energy Storage Container System

HighJoule's scalable, high-efficiency 2MWh energy storage system provides



reliable, cost-effective solutions for commercial, industrial, and utility-scale applications. With 95% efficiency, ...

20GP Energy Storage Container , FFD Power

The FFD Power Energy Storage Container is redefining the shape of future energy. We've integrated high-performance SOLE 15000 lithium-ion batteries into a standard 20GP container, ...



2MWH Containerized Solar Battery Storage System

Polinovel 2MWH commercial energy storage system (ESS) is tailored for high-capacity power storage, ideal for large-scale renewable energy generation, PV self ...

2MWh Energy Storage Container System

HighJoule's scalable, high-efficiency 2MWh energy storage system provides

reliable, cost-effective solutions for
commercial, industrial, and utility-scale

...



Contact Us

For catalog requests, pricing, or partnerships, please contact:

BLINK SOLAR

Phone: +48-22-555-9876

Email: info@blinkartdesign.pl

Website: <https://www.blinkartdesign.pl>

Scan QR code to visit our website:

