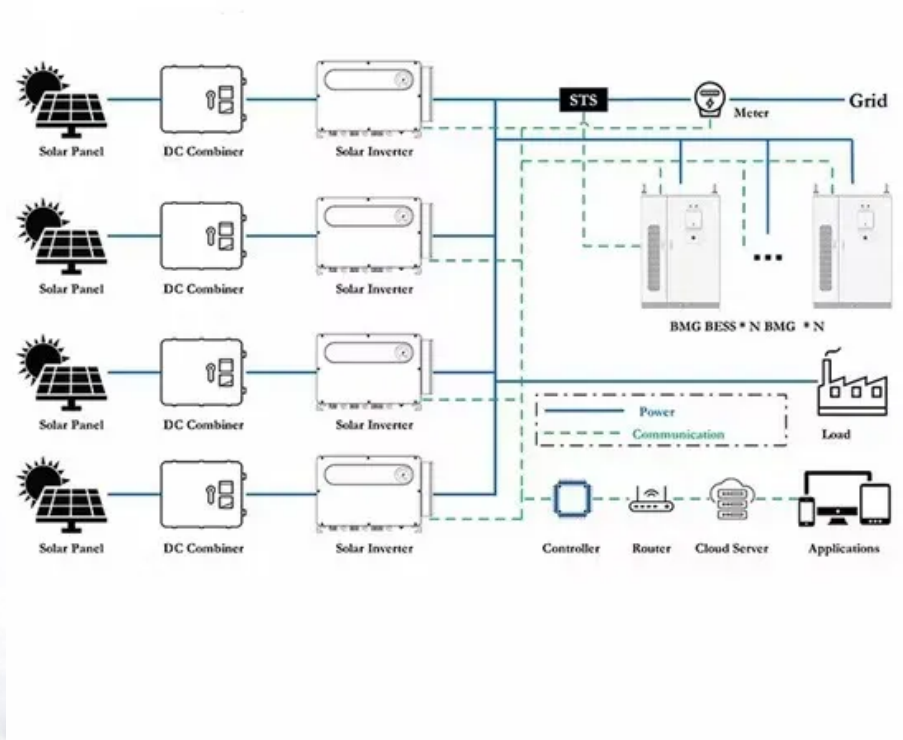


## BLINK SOLAR

# Does a high cabinet need to be used to load solar panels into containers



## Overview

---

Can solar panels be mounted on a shipping container?

Mounting solar panels on a shipping container can be a practical solution for mobile or remote power needs. Below are the general steps and considerations for mounting solar panels on a shipping container, specifically for the models LZY-MSC1 and LZY-MSC3:.

Why do solar panels need shipping containers?

Shipping containers offer a robust and versatile platform for solar panels, making them ideal for mobile and remote power solutions. Their durability ensures that the solar panels remain secure and efficient in various conditions. Senior Solar Installer.

Can shipping containers and solar power be used as portable energy solutions?

The mobility of shipping containers and solar power presents opportunities for portable energy solutions. Mobile power stations can be created by equipping containers with solar panels, batteries, and inverters. These stations can be deployed for temporary events, construction sites, or emergency power needs.

How many solar panels can fit in a 20-foot shipping container?

The number of solar panels that can fit in a 20-foot shipping container depends on various factors, such as the size of the solar panels and the desired configuration. It is recommended to consult with solar panel professionals or suppliers to determine the optimal number of panels based on the specific dimensions and requirements of the container.

## Does a high cabinet need to be used to load solar panels into conta

---



### How to load photovoltaic panels into a cargo box

Why do solar panels need shipping containers? Shipping containers offer a robust and versatile platform for solar panels, making them ideal for mobile and remote power solutions. Their ...

## Solar Panels on Shipping Containers

Key Takeaways Solar panels on shipping containers offer a versatile and cost-effective solution for harnessing renewable energy, providing sustainable power in various ...

Solar



### Shipping Container Solar Systems in Remote Locations: An ...

The heart of any shipping container solar system lies in its solar panels. High-efficiency PV modules are mounted on the container roof to maximize sun exposure. Standard ...

## TURNING SHIPPING CONTAINERS INTO RENEWABLE SOLAR ...

Built on an area of 5 hectares and with an investment capital of nearly 9 million USD, Solar Juanilama, with 15,456 high-tech HIT photovoltaic panels (325 watt capacity / plate), will ...



## Installing Solar Panels on Shipping Containers: How-To & Tips

Thinking of adding solar panels to your shipping container? Learn key considerations, how many panels fit on 20ft and 40ft containers, plus tips and real-world ...

## How to Mount Solar Panels on a Shipping Container?

Mounting solar panels on a shipping container can be a practical solution for mobile or remote power needs. Below are the general steps and considerations for mounting ...



## How to transport solar panels safely?

Safely Transporting Solar Panels: A

Comprehensive Guide? Are you frustrated by damaged solar panels? Delays and costs pile up fast. I'm Michael Wong from RENDONO® ...



---

## How Many Solar Panels Fit In a 40ft Container?

Here is what a 40ft container would hold: Solar panels in 20 pallets 20-30 panels per pallet depending on the size That gives a total of 500-600 panels per container. Some ...



---

## Answers to Your Questions About Shipping Containers & Solar Panels

We interviewed David Dixon, co-owner of NATiVE, to find out what you need to know about installing solar panels on your shipping container structure.

---

## Contact Us

For catalog requests, pricing, or partnerships, please contact:

**BLINK SOLAR**

Phone: +48-22-555-9876

Email: [info@blinkartdesign.pl](mailto:info@blinkartdesign.pl)

Website: <https://www.blinkartdesign.pl>

*Scan QR code to visit our website:*

