

BLINK SOLAR

Cuba Emergency Energy Storage Power Supply



Overview

Does Cuba have an energy crisis?

Cuba isn't just in an energy crisis; the country's grid sits on the verge of systemic failure. The National Electric System, most of which was built after 1959, hasn't received the investment and maintenance it needs for 35 years—a consequence of Cuba's complex political and economic history.

How severe is the electricity crisis in Cuba?

The scale of the electricity deficit illustrates the severity of the crisis. Reports from Cuba's state utility, echoed in international coverage, noted that generation shortfalls in 2025 often exceeded 1,300 to 1,700 megawatts during peak demand.

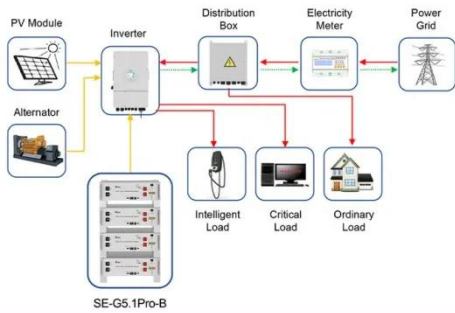
What is the story behind Cuba's electricity crisis?

Cuba's electricity troubles have weighed heavily on daily life, the economy, and the country's outlook. Still, the crisis isn't only a story of hardship. It's also a story of people adjusting, of small acts of resilience, and of steps toward a different energy future.

How many megawatts of photovoltaic power does Cuba need?

Targets call for hundreds of megawatts of photovoltaic capacity, supported by international partnerships. According to the International Energy Agency (IEA) and other observers, renewables currently account for less than five percent of Cuba's electricity mix, meaning the path to diversification is long.

Cuba Emergency Energy Storage Power Supply



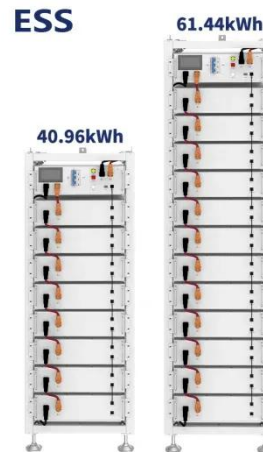
Application scenarios of energy storage battery products

battery energy storage for cuban power grid

Beyond Li-ion Batteries for Grid-Scale Energy Storage The implementation of grid-scale electrical energy storage systems can aid in peak shaving and load leveling, voltage and frequency ...

Cuba's Blackout Crisis and How Long-Duration Energy Storage ...

It's time for governments, businesses, and communities to adopt long-duration energy storage solutions to stabilize power, reduce fossil fuel reliance, and secure energy ...

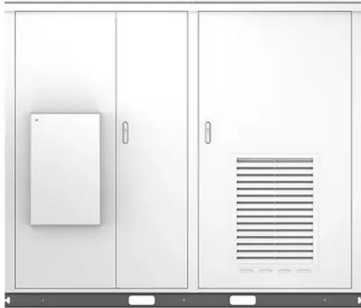


Santiago de Cuba Leading Cuban Energy Storage Solutions

From hotel complexes to hospital emergency power, Santiago de Cuba's energy storage enterprises offer cost-effective, climate-resilient solutions. With increasing global focus on ...

Cuban battery energy storage system manufacturer

Genista Energy, based in the United Kingdom, is a company that provides customized lithium-ion battery storage solutions. They design, manufacture, and install battery storage systems to ...



Cuba deep sea energy storage power station

Cuba is in the throes of a severe energy crisis, driven by fuel supply disruptions and compounded by obstacles in securing vital technologies and supplies needed to modernize and operate its ...

CUBA POWER PLANT ENERGY STORAGE LIGHTING THE PATH TO ENERGY

Emergency Energy Storage Power Supply Production Plant in Arequipa Peru
In 2009, delays in the construction of a cross-country gas pipeline, transmission and distribution infrastructure - ...



Cuba Power Plant Energy Storage: Lighting the Path to Energy ...

CE UN38.3 MSDS



That's exactly what happened in October 2024 when Cuba's Matanzas thermal power plant tripped offline, triggering the worst blackout in 30 years [1]. With 1,740 MW of ...

A Breakdown of Cuba's Grid Collapse and Recovery Efforts

Cuba is in the throes of a severe energy crisis, driven by fuel supply disruptions and compounded by obstacles in securing vital technologies and supplies needed to ...



Cuba's Energy Company Begins Solar Battery Installation for Power ...

Cuba is investing in solar energy and battery storage to address its severe energy crisis, reduce dependency on fossil fuels, and improve the reliability and stability of its power ...

Security Alert: U.S. Embassy Havana, Cuba

On December 1, Cuba reported its worst

energy generation figures since 2022. Cuba's electrical grid is increasingly unstable and there have been multiple nationwide power ...



What energy storage does Cuban wind power need?

An energy system model-based approach to investigate cost In 100 % RES scenarios with limited controllable generation capacity, a high storage capacity is typically necessary, regardless of ...

What is emergency backup energy storage power supply

An emergency power supply is an alternative source of electrical power. They are mostly used in case of power cuts to power your essential electrical and electronic devices. For example, solar ...



Cuba's Energy Crisis: A Systemic Breakdown

Cuba's energy crisis is causing



- 
Efficient Higher Revenue
 - Max. Efficiency 97.5%
 - Max. PV Input Voltage 600V
 - 150% Peak Output Power
 - 2 MPPT Trackers, 150% DC Input Oversizing
 - Max. PV Input Current 16A, Compatible with High Power Modules
- 
Intelligent Simple O&M
 - IP65 Protection Degree: support outdoor installation
 - Smart I-V Curve Diagnosis Function: locate PV string faults accurately and automatically detect faults
 - DC & AC Type II SPD: prevent lightning damage
 - Battery Reverse Connection Protection
- 
Flexible Abundant Configuration
 - Plug & Play, EPS Switching Under 30ms
 - Compatible with Lead-acid and Lithium Batteries
 - Max. 6 units Inverters Parallel
 - AFCI Function (Optional): when an arc fault is detected the inverter immediately stops operation

widespread power outages due to outdated plants and a fragile grid, impacting daily life and nearing total failure.

Cuba UPS Energy Storage Power Supply

Energy Storage in Cuba: Challenges, Innovations, and the With its aging power infrastructure and reliance on imported fossil fuels, Cuba's push for energy storage solutions ...



Cuba's Electricity Crisis: What's Happening and What Comes ...

According to the International Energy Agency (IEA) and other observers, renewables currently account for less than five percent of Cuba's electricity mix, meaning the ...

(PDF) Cuba's Recurring Electricity Crisis and Challenges for Energy

To come out of the recurring electricity crisis, Cuba is striving to replace fossil fuel-powered power plants by prioritising renewable energy sources.



Cuba Economic Development Energy Storage Project

While small-scale, such renewable energy initiatives can reduce pressure on the energy grid and provide relief in especially vulnerable places. Due to rising temperatures and ...

CUBAN ENERGY STORAGE LITHIUM BATTERY DESIGN SOLAR POWER ...

Lithium battery energy storage power supply customization This article explores how companies, like MK ENERGY, design and produce customized lithium battery packs tailored to meet ...



Contact Us

For catalog requests, pricing, or partnerships, please contact:

BLINK SOLAR

Phone: +48-22-555-9876

Email: info@blinkartdesign.pl

Website: <https://www.blinkartdesign.pl>

Scan QR code to visit our website:

