

BLINK SOLAR

Cost of solar energy storage in Costa Rica



Overview

How much solar power can Costa Rica use?

Utilising about 6% of total solar power potential and 25% of Costa Rica's wind power potential would suffice to supply enough energy to do so. Electricity costs can be reduced by almost US\$ 1 cent per kWh of power generation by deployment utility-scale and decentralised renewable energy installations.

Can solar power improve Costa Rica's energy security?

Solar energy, though currently a minor player, offers untapped potential to enhance Costa Rica's energy security. The country's tropical climate ensures consistent sunlight, making solar PV systems ideal for both utility-scale and distributed generation.

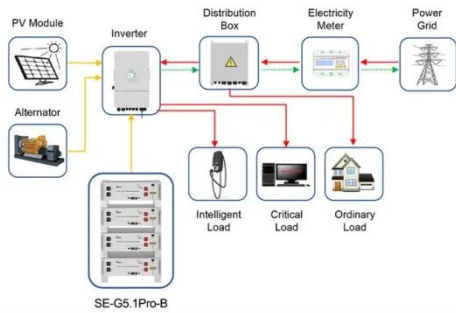
Is solar power a new energy source in Costa Rica?

Like wind power, solar power is another newer energy source in the country. The first solar power projects in the country were established in 1978 by just a few researchers from public universities at the Solar Power Laboratory at the National University. During 2012, Costa Rica inaugurated the Miravalles Solar Plant next to the Miravalles Volcano.

Can solar power diversify the energy mix in Costa Rica?

While hydroelectric power dominates the energy mix at approximately 80% of electricity production, solar energy, though currently a smaller contributor, holds significant potential to diversify and stabilize the grid. This paper investigates Costa Rica's renewable energy journey, emphasizing solar power's evolving role.

Cost of solar energy storage in Costa Rica



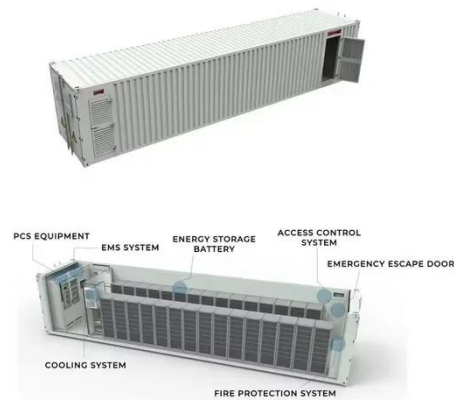
Application scenarios of energy storage battery products

Solar Energy

In Costa Rica, electricity generation in the Solar Energy market is projected to amount to 74.26m kWh in 2025. An annual growth rate of 0.68% is expected during the period from 2025 to 2029 ...

Costa Rica Solar Energy Storage Market (2025-2031)

6Wresearch actively monitors the Costa Rica Solar Energy Storage Market and publishes its comprehensive annual report, highlighting emerging trends, growth drivers, revenue analysis, ...



Costa Rica energy storage large scale

Costa Rica recently opened the country's first-ever large-scale solar power plant in the small village of Bagaces, Miravalles in the northwestern province of Guanacaste. The solar farm is ...

The future of solar energy in Costa Rica: trends and progress ...

Solar energy is evolving rapidly, becoming a key solution for those seeking to reduce electricity costs and adopt sustainable practices. In Costa Rica, the growth of photovoltaic ...



Costa Rica Solar Energy: Incentives, ...



Explore the state of solar energy in Costa Rica. Learn about the challenges, new government solar incentives, and the growing ...

COSTA RICA BATTERY STORAGE APPLICATIONS

Largest innovative photovoltaic generation and energy storage project opens in Costa Rica. The system uses solar panels to charge batteries during periods of lower energy cost and then, ...



Costa Rica energy storage project

How much solar power can Costa Rica use? Utilising about 6% of total solar power potential and 25% of Costa Rica's

wind power potential would suffice to supply enough energy to do so. ...



How Much Does It Cost to Install Solar Panels in Costa Rica?

If you've ever wondered how much it costs to install solar panels in Costa Rica, the most honest and professional answer is: it depends. What's certain is that more and more ...



The future of solar energy in Costa Rica: ...

Solar energy is evolving rapidly, becoming a key solution for those seeking to reduce electricity costs and adopt sustainable practices. ...

Costa Rica Solar Energy: Incentives, Challenges & Future ...

Explore the state of solar energy in Costa Rica. Learn about the challenges,

new government solar incentives, and the growing opportunities for adoption.



Harnessing the Sun: Costa Rica's Journey to 100% Renewable Energy

Costa Rica is a global leader in renewable energy, achieving near-100% renewable electricity through hydroelectric, geothermal, wind, and solar power. This article examines its ...

Distributed energy market in Costa Rica

Costa Rica has made distributed renewable energy generation a national priority. The country has over 3,500 active systems and nearly 100 MW of installed capacity, almost ...



Contact Us

For catalog requests, pricing, or partnerships, please contact:

BLINK SOLAR

Phone: +48-22-555-9876

Email: info@blinkartdesign.pl

Website: <https://www.blinkartdesign.pl>

Scan QR code to visit our website:

