

BLINK SOLAR

Congo solar container battery Container BESS



Overview

What is a container battery energy storage system?

Understanding its Role in Modern Energy Solutions A Container Battery Energy Storage System (BESS) refers to a modular, scalable energy storage solution that houses batteries, power electronics, and control systems within a standardized shipping container.

How to implement a containerized battery energy storage system?

The first step in implementing a containerized battery energy storage system is selecting a suitable location. Ideal sites should be close to energy consumption points or renewable energy generation sources (like solar farms or wind turbines).

What is a containerized energy storage system?

The Containerized energy storage system refers to large lithium energy storage systems installed in sturdy, portable shipping containers, which usually range from 5ft, 10ft, 20ft, and 40ft, and mainly focus on 50Kwh to 10Mwh.

What is a Solax containerized battery storage system?

SolaX containerized battery storage system delivers safe, efficient, and flexible energy storage solutions, optimized for large-scale power storage projects. As the world increasingly transitions to renewable energy, the need for effective energy storage solutions has never been more pressing.

Congo solar container battery Container BESS



Battery Energy Storage System Container , BESS

A containerized energy storage system (often referred to as BESS container or battery storage container) is a modular unit that houses lithium-ion batteries and related ...

Energy storage container, BESS container

Highly integrated All-in-one containerized design complete with LFP battery, bi-directional PCS, isolation transformer, fire suppression, air ...



What Is a Container Energy Storage System?

A containerized BESS is a fully integrated, self-contained energy storage solution housed within a standard shipping container. It is ...



Energy storage container, BESS container

Highly integrated All-in-one containerized design complete with LFP battery, bi-directional PCS, isolation transformer, fire suppression, air conditioner and BMS; Modular ...



The Best of the BESS: The Role of Battery Energy Storage ...

In an era of rapid technological advancement and increasing reliance on renewable energy, battery energy storage systems (BESS) are emerging as pivotal players in ...

What Is a Container Energy Storage System?

A containerized BESS is a fully integrated, self-contained energy storage solution housed within a standard shipping container. It is far more than just batteries in a box; it is a ...



How a Containerized Battery Energy Storage ...

A Container Battery Energy Storage System (BESS) refers to a modular,



scalable energy storage solution that houses batteries, power ...

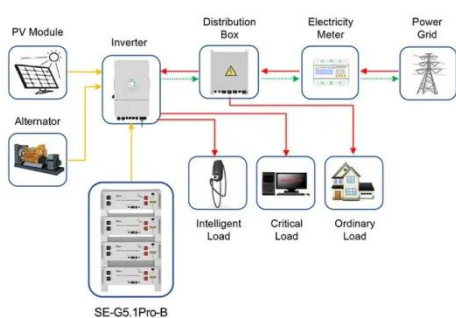
How a Containerized Battery Energy Storage System Can ...

A Container Battery Energy Storage System (BESS) refers to a modular, scalable energy storage solution that houses batteries, power electronics, and control systems within a ...



Elecod Container BESS project for African logistics park

Alice Series 500kW-2000kWh Modular Container Battery Energy Storage System(BESS) 2025-03-26 This series is specially designed for large-scale industrial and commercial energy ...



Application scenarios of energy storage battery products

Solar/PV + Container Battery Energy Storage System (BESS) ...

FutureVolt's Container BESS Solution works seamlessly with solar and wind

resources to maximize clean energy utilization and smooth out fluctuations in supply and ...



container energy storage system containerized bess cost ...

This guide highlights YIJIA Solar's engineered container models (with specific specs), real-world [battery energy storage system] (BESS) cases, and aligns with Google's E ...

Congo Republic mobile bess

What is mobile Bess & how does it work? By storing low-cost off-peak grid power and dispatching it onsite as needed, mobile storage provides operators with emissions ...



LARGEST BATTERY ENERGY STORAGE SYSTEM DR CONGO

The global solar storage container market is experiencing explosive growth,

with demand increasing by over 200% in the past two years. Pre-fabricated containerized solutions now ...



Contact Us

For catalog requests, pricing, or partnerships, please contact:

BLINK SOLAR

Phone: +48-22-555-9876

Email: info@blinkartdesign.pl

Website: <https://www.blinkartdesign.pl>

Scan QR code to visit our website:

