

BLINK SOLAR

Buenos Aires Mobile Energy Storage Container Scalable



Overview

How many MW of battery energy storage will be deployed in Buenos Aires?

The initiative aims to deploy 500 MW of battery energy storage systems (BESS) in the Greater Buenos Aires Area (GBA), but the submitted capacity has far exceeded expectations—reaching a combined 1,347 MW.

Does Argentina have a battery energy storage system?

Argentina has taken a major step toward modernizing its energy infrastructure with the launch of a 500 MW battery energy storage system (BESS) tender under the AlmaGBA program.

Does Argentina have a battery storage tender?

Argentina has opened a \$500 million battery storage tender aimed at adding 500 MW of new energy storage capacity in the Buenos Aires metropolitan area. The AlmaGBA program, managed by CAMMESA, offers long-term contracts with fixed payments and financial guarantees to attract developers.

What is Argentina's first energy storage tender?

(USD 1.0 = EUR 0.860) Loading. Argentina's first energy storage tender has lured proposals for 1,347 MW of combined capacity, indicating a high investor interest that significantly exceeded the 500-MW target.

Buenos Aires Mobile Energy Storage Container Scalable



Argentina's maiden energy storage tender draws over 1.3 ...

Argentina's first energy storage tender has lured proposals for 1,347 MW of combined capacity, indicating a high investor interest that significantly exceeded the 500-MW ...

Using Energy Storage Shipping Containers as Mobile Power ...

In an era marked by fluctuating energy demands and the increasing need for flexible power solutions, energy storage shipping containers have emerged as a game - changing ...



Argentina's first energy storage tender receives 1,347 MW of ...

The Argentinian government opened the bids this week for its AlmaGBA tender process. The international tender, first announced in February, aimed to secure 500 MW of ...



Argentina's First Energy Storage Tender Secures 1.35 GW of ...

This week, the Argentinian government opened bids for the AlmaGBA tender, initiated in February 2025 to procure 500 MW of battery energy storage system (BESS) ...



Argentina's maiden energy storage tender ...

Argentina's first energy storage tender has lured proposals for 1,347 MW of combined capacity, indicating a high investor interest that ...

ARE MOBILE ENERGY STORAGE SYSTEMS A VIABLE SOLUTION

What is a containerized battery energy storage system? Let's dive in! What are containerized BESS? Containerized Battery Energy Storage Systems (BESS) are essentially large batteries ...



Argentina receives 1.3GW bids for first energy ...

Argentina has received more than 1.3GW of energy storage applications for

its first battery energy storage system (BESS) tender.



Mobile energy storage and EV charging solution

Unlike conventional energy storage systems, the Charge Qube: Requires no planning permissions for deployment, making it ideal ...



Argentina's First Battery Energy Storage Systems Tender ...

Argentina's battery energy storage systems tender receives 1.3 GW in bids--more than double its target--highlighting growing demand for grid resilience solutions.

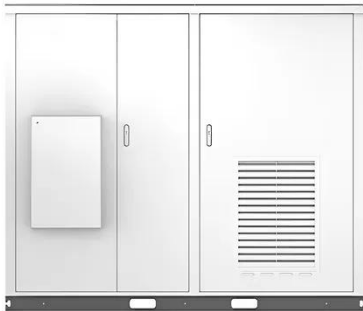
Argentina's Energy Storage Tender , LondianESS Manufactured

Argentina's 500MW "AlmaGBA" Energy Storage Tender: Key Insights for Global

BESS Providers J, LondianESS Energy
Insights The Argentinian Ministry of ...



Solar



Shipping Container Energy Storage System ...

Explore innovative shipping container energy storage systems for sustainable, off-grid power solutions. Harness renewable energy ...

Argentina's First Battery Energy Storage ...

Argentina's battery energy storage systems tender receives 1.3 GW in bids--more than double its target--highlighting growing demand ...



Argentina Launches \$500M Battery Storage ...

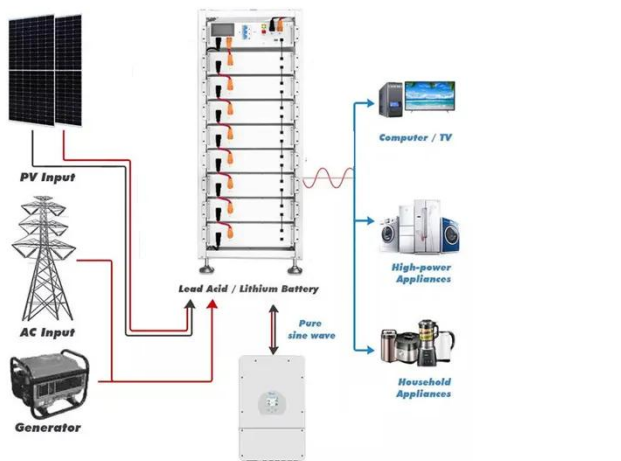
Argentina has opened a \$500 million battery storage tender aimed at adding

500 MW of new energy storage capacity in the Buenos ...



Energy storage container, BESS container

What is energy storage container? SCU uses standard battery modules, PCS modules, BMS, EMS, and other systems to form standard ...



Containerized Energy Storage: Scalable, Flexible, and ...

A Containerized Energy Storage System integrates battery modules, power conversion systems, and control equipment into a standard ISO shipping container or a ...

Buenos Aires' New Energy Storage Policy: Opportunities

Summary: Buenos Aires has launched an ambitious energy storage policy to

modernize its grid and integrate renewable energy. This article explores the policy's framework, its impact on ...



Argentina Receives 1.3GW of BESS Proposals for First-Ever 500MW Energy

Argentina's ambitious push toward grid modernization through battery energy storage has received an enthusiastic response, with CAMMESA (Compañía Administradora ...

WHAT ARE MOBILE BATTERY ENERGY STORAGE SYSTEMS

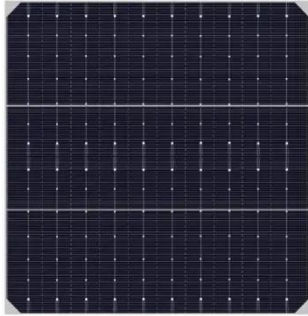
What is a containerized battery energy storage system? Let's dive in! What are containerized BESS? Containerized Battery Energy Storage Systems (BESS) are essentially large batteries ...



Argentina's Oversubscribed Energy Storage ...

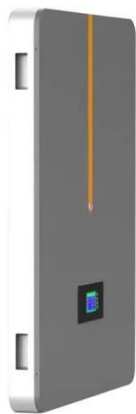
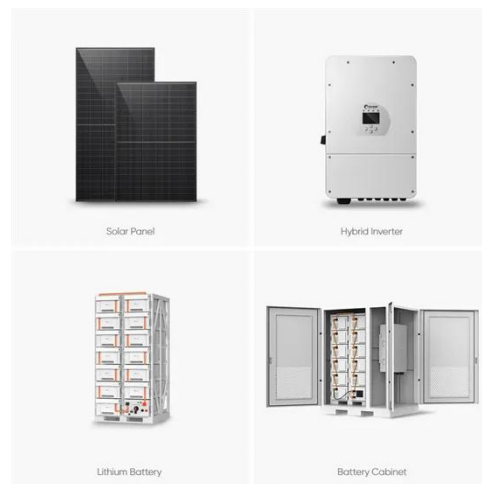
Argentina's 1.3 GW battery storage tender marks a transformative leap

toward grid resilience and clean energy leadership in ...



Innovative Energy Storage Solutions for the Future

Discover our energy storage shipping containers offering safe, scalable, and modular power solutions ideal for renewable energy, grid support, and emergency backup. ...



Advanced Battery Energy Storage Containers

Discover our Battery Energy Storage Container offering efficient, modular, and scalable energy storage solutions ideal for ...

Argentina Launches \$500M Battery Storage Tender to Strengthen Buenos

Argentina has opened a \$500 million

battery storage tender aimed at adding 500 MW of new energy storage capacity in the Buenos Aires metropolitan area. The AlmaGBA ...

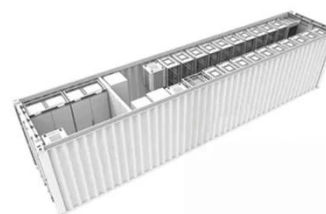


Buenos Aires container energy storage cabinet supplier

As the world moves towards decarbonization, innovative energy storage solutions have become critical to meet our energy demands sustainably. AnyGap, established in 2015, is a leading ...

Argentina's Oversubscribed Energy Storage Tender Signals

Argentina's 1.3 GW battery storage tender marks a transformative leap toward grid resilience and clean energy leadership in Latin America.



BESS Container Sizes: How to Choose the ...

In this guide, we'll explore standard container sizes, key decision factors,

performance considerations, and how to select the best ...



Argentina receives 1.3GW bids for first energy storage tender

Argentina has received more than 1.3GW of energy storage applications for its first battery energy storage system (BESS) tender.



Contact Us

For catalog requests, pricing, or partnerships, please contact:

BLINK SOLAR

Phone: +48-22-555-9876

Email: info@blinkartdesign.pl

Website: <https://www.blinkartdesign.pl>

Scan QR code to visit our website:

