

**BLINK SOLAR**

**Best high quality 220 gfci  
breaker for sale**



## Overview

---

What is a GFCI circuit breaker?

This GFCI circuit breaker provides protection against overloads, short circuits and ground faults. 15 to 100A. THQB and THQC types. Available in bolt-on and Cable-in Cable-out (lug-lug) versions. 0.5 to 63A. These miniature circuit breakers offer superior supplemental overload and short circuit protection.

What is a Siemens qf220a GFCI breaker?

Expected Annual Requirement The Siemens QF220A is a 2 pole GFCI plug in circuit breaker. It has a 20 amp current rating and a voltage rating of 120/240V. These breakers are intended for use in Siemens EQ, Siemens Ultimate, ITE, and Gould load centers. They also are listed for use in panels from Pentair, Jandy, Hayward and Intermatic.

How many GFCI breakers do you use?

We use 2 GFCI breakers, each runs to 2 outside receptacles. These receptacles are used for water pumps and sewer pumps. Nothing else is in the circuit except these 2 receptacles. We are having alot of problems with the GFCI tripping. And its costing us many service calls.

## Best high quality 220 gfci breaker for sale



### 2 Pole 20 amp GFCI Breaker , Siemens QF220 A

The Siemens QF220A is a 2 pole GFCI plug in circuit breaker. It has a 20 amp current rating and a voltage rating of 120/240V. These breakers are intended for use in Siemens EQ, Siemens ...

### Circuit Breaker Gfci Outlet

China Circuit Breaker Gfci Outlet wholesale - Select 2024 high quality Circuit Breaker Gfci Outlet products in best price from certified Chinese Protection Of Circuit manufacturers, Electrical ...

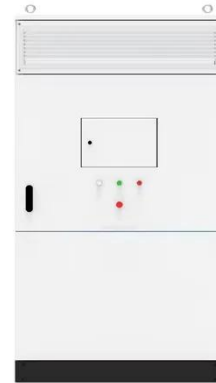


### Best GFCI Circuit Breaker Brands: Top Picks for 2024

A GFCI breaker protects against electrical shock by interrupting the flow of electricity when it detects an imbalance. To help you choose the right product, we have ...

**2 Pole 20 amp GFCI Breaker , Siemens QF220 ...**

The Siemens QF220A is a 2 pole GFCI plug in circuit breaker. It has a 20 amp current rating and a voltage rating of 120/240V. These breakers are ...



**CHFP220GF , Eaton CH GFCI circuit breaker , Eaton**

CHFP220GF - CH 2-Pole GFCI Breaker, 20A, Plug On Neutral, 10kAIC, Class-A GFCI, 5 mA personnel Protection, #14-3 AWG

**220v gfci breaker, 220v gfci breaker Suppliers and ...**

The 220v GFCI breaker is a specific type of GFCI designed to work with systems that operate at 220 volts, commonly used in various residential and commercial settings.



**SIEMENS Q220GF Pole Gfci Breaker Fault Gfi Amplifier Circuit**

The Siemens Q220GF circuit breaker is constructed with high-quality materials

and is designed for long-lasting performance. It features a rugged, weather-resistant enclosure that ...



---

## Ground Fault (GFCI) Circuit Breakers

Shop our ground fault (GFCI / GFI) circuit breakers, or Residual Current Device (RCD), which offer GFCI protection by shutting off electric power ...



---

## Shop High-Quality GFCI Breakers for Reliable Electrical Safety

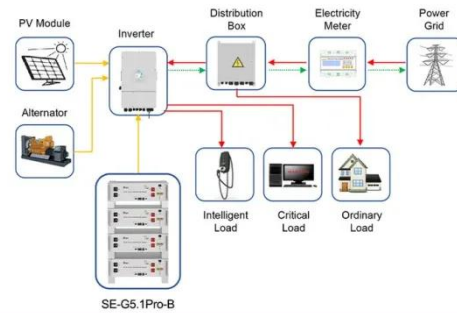
Shop for reliable gfcı breakers from trusted suppliers. Find durable, efficient, and cost-effective solutions for your electrical needs. Bulk orders welcome.

---

## 220 Gfcı Breaker for sale , eBay

Get the best deals for 220 Gfcı Breaker at eBay . We have a great online selection at the lowest prices with Fast &

Free shipping on many items!



Application scenarios of energy storage battery products



## Ground Fault (GFCI) Circuit Breakers

Shop our ground fault (GFCI / GFI) circuit breakers, or Residual Current Device (RCD), which offer GFCI protection by shutting off electric power when they sense an imbalance between ...

## Best Gfci Breaker Comparison

SIEMENS QF120A Gfci Circuit Breaker, Plug In, Self Testing, 20 Amp, 1-Pole, 120 Volt Why we love it Reliable self-testing ensures safety. Ideal for wet environments.



## Contact Us

For catalog requests, pricing, or partnerships, please contact:

**BLINK SOLAR**

Phone: +48-22-555-9876

Email: [info@blinkartdesign.pl](mailto:info@blinkartdesign.pl)

Website: <https://www.blinkartdesign.pl>

*Scan QR code to visit our website:*

