

## BLINK SOLAR

# Benin 40kw solar container lithium battery solar container energy storage system inverter



## Overview

---

What is a containerized battery energy storage system?

Our's Containerized Battery Energy Storage Systems (BESS) offer a streamlined, modular approach to energy storage. Packaged in ISO-certified containers, our Containerized BESS are quickly deployable, reducing installation time and minimizing disruption.

What is energy storage container?

SCU uses standard battery modules, PCS modules, BMS, EMS, and other systems to form standard containers to build large-scale grid-side energy storage projects.

Why should you choose Bluesun energy storage container solutions?

The professional technical service team makes reasonable design according to the roof type of customers to ensure the efficient operation of customer projects. Bluesun provides 500 kwh to 2 mwh energy storage container solutions. Power up your business with reliable energy solutions.

What energy storage container solutions does SCU offer?

SCU provides 500kwh to 2mwh energy storage container solutions. Power up your business with reliable energy solutions. Say goodbye to high energy costs and hello to smarter solutions with us.

## Benin 40kw solar container lithium battery solar container energy s

---



### 186 KWh Battery, Container Energy Storage ...

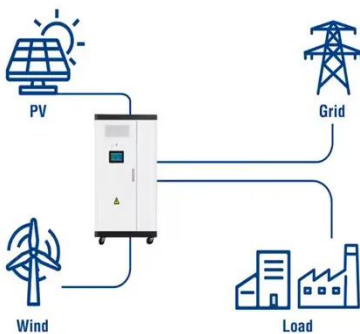
The GSL-BESS-50K186 is a 50 kVa, 186 kWh all-in-one BESS battery storage system designed for both grid-tied and off-grid ...

### CATL 20Fts 40Fts Containerized Energy Storage System

catl 20ft and 40 ft battery container energy storage system Individual pricing for large scale projects and wholesale demands is available.  
Mobile/WhatsApp/Wechat: +86 156 ...



### Utility-Scale ESS solutions



### China Container Energy Storage System ...

We're professional container energy storage system manufacturers and suppliers in China, specialized in providing lithium-ion ...

## Hybrid Diesel Generator Set Manufacturer, ...

Bess Container, Solar System, Lithium Battery, Solar Panel, Solar Inverter, Solar Energy Storage System, Solar Air Conditioner, Portable Power ...



## Energy storage container, BESS container

Intelligent and efficient \*Efficient, digital, and intelligent energy management system (EMS) architecture design; \*0.5C charging and ...

## Sunpal Containerized Lithium Battery 35kw 40kw Energy Storage Battery

Containerized Battery Energy Storage System (BESS) - Powering Large-Scale Energy Solutions Our containerized BESS offers a high-performance, scalable storage ...



## Battery Energy Storage System Container , BESS

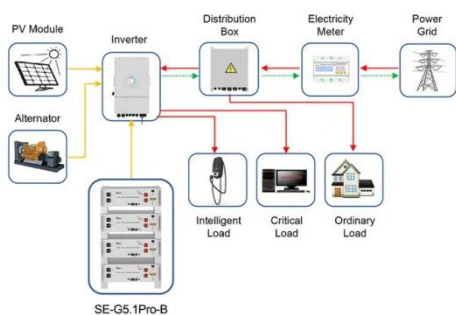
A containerized energy storage system (often referred to as BESS container or

battery storage container) is a modular unit that houses lithium-ion batteries and related ...



## China Container Energy Storage System Suppliers, ...

We're professional container energy storage system manufacturers and suppliers in China, specialized in providing lithium-ion batteries. We warmly welcome you to buy high ...



Application scenarios of energy storage battery products

## Benin container energy storage transformation

Why Benin is Turning to Lithium Battery Energy Storage Systems Benin's energy sector is undergoing a transformation. With rising demand for reliable electricity and ...

## THE POWER OF SOLAR ENERGY ...

Energy storage system: Discover the importance of batteries in storing excess solar energy for uninterrupted power

supply. Charge ...

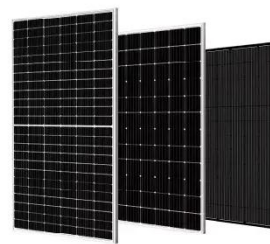


### **Containerized Energy Storage System: How it ...**

Examples include a solar-powered CESS in a remote South Pacific island, a CESS integrated into a municipal power grid in a ...

### **All-In-One Container Energy Storage System ...**

All-In-One Container Energy Storage System Battery Energy Storage System is very large batteries can store electricity from solar until it is needed, ...



### **Energy storage container, BESS container**

Intelligent and efficient \*Efficient, digital, and intelligent energy management

system (EMS) architecture design; \*0.5C charging and discharging rate; Fault prediction, identification, ...



---

## Energy storage container, BESS container

Energy Storage Container Adding Containerized Battery Energy Storage System (BESS) to solar, wind, EV charger, and other renewable energy applications can reduce ...



---

## energy storage container

The 1 MWh lithium-ion battery storage system, BMS, energy storage monitoring system, air conditioning system, fire protection system, and power distribution system are ...

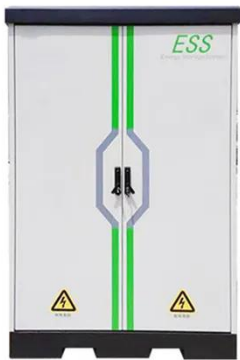
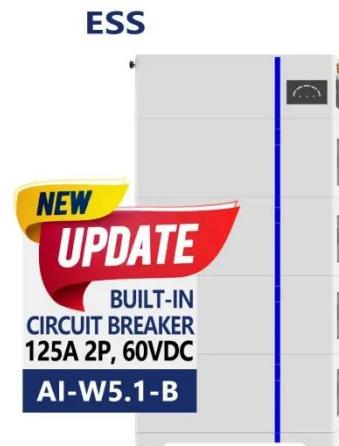


---

## BENIN LARGE ENERGY STORAGE PROJECT POWERING A SUSTAINABLE

Somaliland Energy Storage System

Lithium Battery Project The project comprises of the following four components: (i) Sub-transmission and distribution network reconstruction, reinforcement, ...



### 1MW Battery Energy Storage System

MEGATRONS 1MW Battery Energy Storage System is the ideal fit for AC coupled grid and commercial applications. Utilizing Tier 1 280Ah LFP battery cells, each BESS is ...

### 40kVA 40kW Solar Power Plant And Price

Flexible, Scalable Design and Efficient 40kVA 40kW Solar Power Plant. With Lithium-ion Battery Off Grid Solar System For A ...



### Sunway 1Mw Battery Container Energy ...

Features of Sunway Energy Storage Container Energy Storage System

1?Multilevel protection strategy to ensure the safe and stable operation of ...



---

## Containerized Battery Energy Storage Systems (BESS)

Our's Containerized Battery Energy Storage Systems (BESS) offer a streamlined, modular approach to energy storage. Packaged in ISO-certified containers, our Containerized BESS ...



## Sunpal LiFePO4 Solar Battery 30kw 40kw 50kw Energy Storage System Container

Containerized Battery Energy Storage System (BESS) - Powering Large-Scale Energy Solutions Our containerized BESS offers a high-performance, scalable storage ...

---

## Benin Commercial and Industrial Energy Storage: ...

Energy Storage Systems in Benin's Industrial Sector While residential solar

gets the spotlight, Benin's factories and commercial buildings are where the real energy revolution's ...



---

## Contact Us

---

For catalog requests, pricing, or partnerships, please contact:

### **BLINK SOLAR**

Phone: +48-22-555-9876

Email: [info@blinkartdesign.pl](mailto:info@blinkartdesign.pl)

Website: <https://www.blinkartdesign.pl>

*Scan QR code to visit our website:*

