

BLINK SOLAR

Amsterdam solar container communication station inverter hybrid power supply



Overview

The system utilizes solar arrays and wind turbines to store the electricity generated through an intelligent wind solar hybrid controller into a battery, and then converts the stored DC electricity into AC electricity through an inverter, which is sent to the base station equipment to provide a stable power supply system for the base station. What is a hybrid solar inverter?

A standard solar inverter only converts DC power from solar panels into AC power for household use, while a hybrid inverter does this and enables energy storage in a battery. This means that the excess solar energy can be stored for later use with a hybrid inverter instead of feeding it back into the grid.

Are hybrid inverters compatible with all solar panels & battery systems?

Compatibility: Hybrid inverters may not be compatible with all solar panels and battery systems, requiring careful consideration of product selection and system design. Here are some of the important factors to keep in mind when choosing a hybrid inverter: 1.

Can a containerized Solar System be installed off-grid?

Off-Grid Installer have the answer with a containerized solar system from 3 kw up wards. Systems are fitted in new fully fitted containers either 20 or 40 foot depending on the size required.

Where can a portable power container be used?

The MOBIPOWER portable power container can be used virtually anywhere on the planet and will produce and store all the power you will need.

Amsterdam solar container communication station inverter hybrid p



How to make wind solar hybrid systems for ...

Wind solar hybrid systems can fully ensure power supply stability for remote telecom stations. Meet the growing demand for communication services.

Solar Solutions Amsterdam 2024

The latest version of this inverter model offers communication capabilities via Bluetooth®, RS485 as well as the innovative Power Line Communication (PLC) module. ...



Shipping Container Solar Systems in Remote ...

What Are Shipping Container Solar Systems? Understanding the Basics A shipping container solar system is a modular, portable ...

Shining at Solar Solutions Amsterdam 2025!

SAJ debuts innovative smart energy solutions at Solar Solutions Amsterdam 2025, showcasing advanced solar-storage ...



Wind & solar hybrid power supply and communication

The system utilizes solar arrays and wind turbines to store the electricity generated through an intelligent wind solar hybrid controller into a battery, and then converts the stored DC electricity ...



Shining at Solar Solutions Amsterdam 2025! SAJ Empowers a ...

SAJ debuts innovative smart energy solutions at Solar Solutions Amsterdam 2025, showcasing advanced solar-storage technologies to drive global.



How Do Solar Power Containers Work and What Are They?

Solar power containers combine solar photovoltaic (PV) systems, battery

storage, inverters, and auxiliary components into a self-contained shipping container. By integrating all ...



Hybrid Solar Inverter: Revolutionizing Green Energy

Maximize your green energy solution with a hybrid solar inverter--proven to optimize consumption, ensure power stability, and reduce carbon footprint.



Off-grid container power systems

We are offering mini renewable power stations in a Off-Grid shipping Container ready to be deployed worldwide. These include solar PV panels and mountings.



MOBIPOWER Hybrid Clean Power Containers

MOBIPOWER hybrid clean power containers combine battery energy

storage systems with off-grid solar containers for remote industrial ...



HJ-SG-R01: Advanced Hybrid Energy Storage ...

The HJ-SG-R01 series communication container station is an advanced energy storage solution. It combines multiple energy sources to ...

Hybrid power solutions

Decarbonize your independent power supply while ensuring cheap, available energy with a hybrid power solution from Siemens Energy.



Best Lipo Solar Power Inverter Storage Container 1000kw Hybrid ...

Product Description Best Lipo Solar Power Inverter Storage Container

1000KW Hybrid System Product Description It is difficult to cover the traditional power grid in remote ...



Hybrid Solar Power Station: The Formula for ...

This means that even during power outages, homes, businesses, or any other place with a hybrid solar power station will have ...



ContainerHybrid , The powerful container power supply

The container is designed so that solar panels can be attached to the container roof to generate solar power. to produce. This enables a particularly environmentally friendly ...



Delta to Showcase Integrated Energy Solutions at Solar ...

Delta's showcase will highlight the following solutions: o New

DP225U/DP350U PV Inverters for Photovoltaic Parks: With support for up to 40A per MPPT, the solar inverters are ...

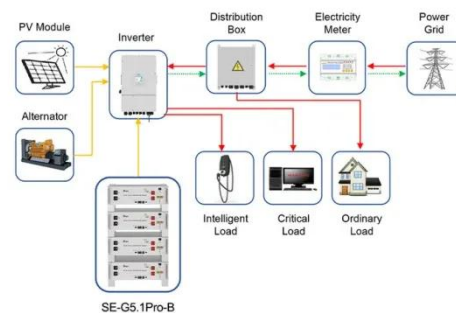


Hybrid Microgrid Technology Platform

BoxPower's hybrid microgrid technology combines solar, battery, and backup power into a modular platform designed for remote ...

Hybrid Solar Inverter: Revolutionizing Green ...

Maximize your green energy solution with a hybrid solar inverter--proven to optimize consumption, ensure power stability, and ...



Application scenarios of energy storage battery products

HJ-SG-R01: Advanced Hybrid Energy Storage Solution

The HJ-SG-R01 series communication container station is an advanced energy

storage solution. It combines multiple energy sources to provide efficient and reliable power. ...

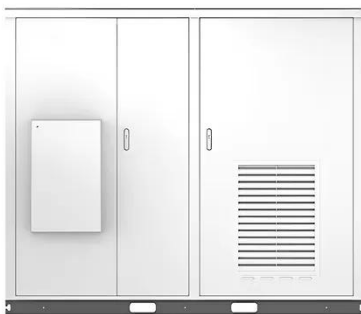


MOBIPOWER Hybrid Clean Power Containers

MOBIPOWER hybrid clean power containers combine battery energy storage systems with off-grid solar containers for remote industrial sites.



Solar



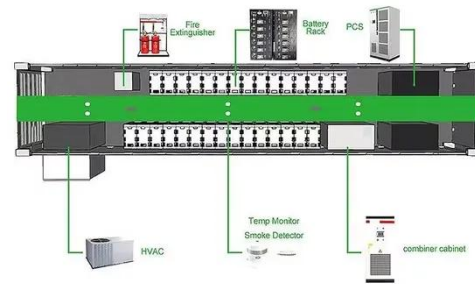
Container Inverters

Discover high-capacity solar inverters for commercial and industrial use. Explore reliable container inverters with hybrid technology, lithium battery storage, and advanced energy management ...

Telecom Power-5G power, hybrid and iEnergy ...

ZTE's Telecom Power solutions mainly includes: 5G power supply, hybrid

energy and iEnergy network energy management solutions ...



Communication Base Station Smart Hybrid PV Power ...



G) 2321-2020 YD, 'T731-2018 Product introduction 'PAN* O The BX48D3000 PV DC-DC module can be used alone, but also as a module for wind, light, oil, and mixed power ...

Shipping Container Solar Systems in Remote Locations: An ...

What Are Shipping Container Solar Systems? Understanding the Basics A shipping container solar system is a modular, portable power station built inside a standard steel ...



Solar Solutions Amsterdam 2024

The latest version of this inverter model offers communication capabilities via Bluetooth®, RS485 as well as the

Support Customized Product

innovative Power Line ...



Power Inverter, Hybrid Solar Inverter, Portable Power Station, Solar

Hisolar (Zhejiang JYINS Electrical Co., LTD.), specializing in the production of power inverters, hybrid solar inverter, customized inverter PCB boards, and other clean energy solutions.



Off-grid container power systems

The container is designed so that solar panels can be attached to the container roof to generate solar power. to produce. This enables a particularly environmentally friendly ...

1MW Battery Energy Storage System

The MEGATRON 1MW Battery Energy Storage System (AC Coupled) is an

essential component and a critical supporting technology for smart grid and renewable energy ...



Contact Us

For catalog requests, pricing, or partnerships, please contact:

BLINK SOLAR

Phone: +48-22-555-9876

Email: info@blinkartdesign.pl

Website: <https://www.blinkartdesign.pl>

Scan QR code to visit our website:

