

BLINK SOLAR

Al hassan switchgear for sale in Hungary



Overview

Who is al Hassan?

Through its LLC operations, i.e. Manufacturing & Trading SBU, Al Hassan has emerged as one of the leading business groups involved in the manufacturing of low and high voltage switchgear panels and trading of electromechanical items across Oman.

Who makes switchgear equipment in Oman?

Al Hassan Switchgear Manufacturing Co. LLC (AHSO) & Al Hassan Power Industries LLC (AHP) are the largest manufacturers of Switchgear Equipment in Oman with manufacturing facilities at Muscat. AHSO manufactures complete range of LV Switch Boards while AHP manufactures MV Switch Boards and Control & Relay panels.

Who is AHSO?

AHSO is a manufacturer of complete range of Low Voltage switchgear fully type tested upto 6400 A rating, 120kA / 1sec fault level and Internal arc tested for 50 kA / 1sec. AHSO serves all segments of the market starting from critical oil and gas projects to building projects with optimal tailor made solutions.

Why should you choose hi-tech & Al Hassan group?

Hi-Tech has a prominent presence with high acceptability in all sectors of energy viz. O&G, Petrochem, Power, Water & Waste Water and delivers differentiated solutions with emphasis on quality & reliability. Established in 1975, Al Hassan Group is a dynamic company focused on building products and solutions for the needs of the 21st century.

Al hassan switchgear for sale in Hungary

Hungary Switchgear and Switchboard Apparatus Market



Topics Covered in Hungary Switchgear and Switchboard Apparatus Market Report The Hungary Switchgear and Switchboard Apparatus Market report provides a comprehensive evaluation by ...

Al Hassan Switchgear Manufacturin Co.ltd. Imp data And ...

The above chart presents the market trend analysis for al hassan switchgear manufacturin co.ltd. from 2024 to 2025. By examining various dimensions such as transaction quantity, transaction ...



 TAX FREE    

ENERGY STORAGE SYSTEM

Product Model
HJ-ESS-215A(100KW/215KWh)
HJ-ESS-115A(50KW 115KWh)

Dimensions
1600*1280*2200mm
1600*1200*2000mm

Rated Battery Capacity
215KWH/115KWH

Battery Cooling Method
Air Cooled/Liquid Cooled



AL HASSAN SWITCHGEAR MFG CO (L , Import Data , Export ...

AL HASSAN SWITCHGEAR MFG CO (L was included in the global trader database of NBD Trade Data on2021-02-24. It is the first time for AL HASSAN SWITCHGEAR MFG CO (L to ...

AL Hassan Switchgear Manufacturing , 1 customers and 45

...

408 shipments of AL Hassan Switchgear Manufacturing with information about suppliers, customers, products purchased and sold, quantities, prices and supply chain networks.



AL HASSAN SWITCHGEAR - AI Hassan LLC



Al Hassan Switchgear Manufacturing Co. LLC (AHSG) & Al Hassan Power Industries LLC (AHPI) are the largest manufacturers of Switchgear Equipment in Oman with manufacturing facilities ...

Al Hassan Switchgear Manufacturings

Is Al Hassan Switchgear Manufacturing a good trading partner for you? View Al Hassan Switchgear Manufacturings import and export shipments, products, suppliers, buyers, ...



Top 30 Switchgear Manufacturers in Hungary (2025) , ensun

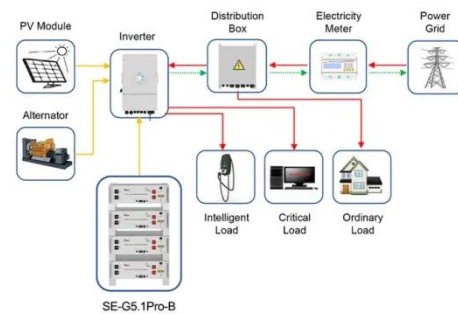
Discover all relevant Switchgear Manufacturers in Hungary, including

Odw-Elektrik Magyarország and PROLAN Irányítástechnikai Zrt.

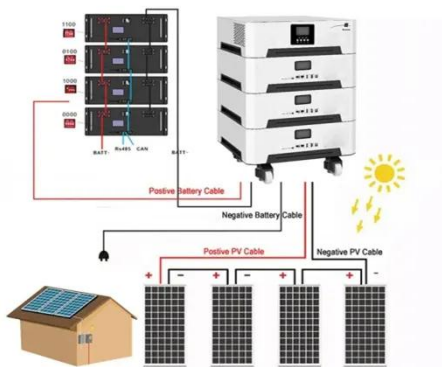


Al Hassan Switchgear Company Profile

Al Hassan Switchgear's Company Profile with Product wise Import Export Shipment Data along with Company Key Decision Makers Contacts like: Phone Number, Email, ...



Application scenarios of energy storage battery products



Al Hassan LLC

Al Hassan Switchgear Manufacturing Co. LLC AHSG is a manufacturer of complete range of Low Voltage switchgear fully type tested upto 6400 A rating, 120kA / 1sec fault level and Internal ...

China Al Hassan Switchgear For Sale For Sale Buyers

Sell China Al Hassan Switchgear For Sale For Sale in bulk to verified buyers and

importers. Connect with businesses actively looking to buy wholesale China Al Hassan Switchgear For ...



Contact Us

For catalog requests, pricing, or partnerships, please contact:

BLINK SOLAR

Phone: +48-22-555-9876

Email: info@blinkartdesign.pl

Website: <https://www.blinkartdesign.pl>

Scan QR code to visit our website:

