

BLINK SOLAR

60kW Helsinki Folding Container for Field Operations



Overview

What is a foldable solar container?

Foldable solar containers merge two mature technologies: lightweight foldable solar panels and ISO shipping containers. The systems, CDS Solar states, are standard containers with inverters, controllers, batteries, and hinged panel arrays built into them, which open while in use and fold up into a compact form to ship.

How big is a 20 foot shipping container?

Background Note: Standard shipping containers for 20-foot shipping size are approximately 6.06 m in length and 2.59 m in width, offering a standard form for retrofitting photovoltaic systems. Why Folding Photovoltaic Containers?

Foldable solar containers merge two mature technologies: lightweight foldable solar panels and ISO shipping containers.

What is a solarcontainer?

Austria's SolarCont Solarcontainer shows the way of the world in portable solar technology. It can extend like an accordion to 120 m and be equipped with as many as 240 panels, which provide an estimated 32 houses (as many as 50 in high irradiance areas) with clean energy.

How many installers does a solarcontainer need?

At least 3-4 installers and 1 crane operator are needed to put the Solarcontainer into operation within one day. How many households can one Solarcontainer supply with electricity?

60kW Helsinki Folding Container for Field Operations



Maersk , Integrated Container Logistics

Maersk is an integrated logistics company that offers supply chain solutions for managing shipments and cargo. Learn how to register, book and find ...

Liquid-Cooling Energy Storage Air ...

Liquid-Cooling Energy Storage Air
Conditioner 60kw-70kw Chiller for 5wmh
-7wmh Bess/ Battery Energy Storage
Container Bess ...

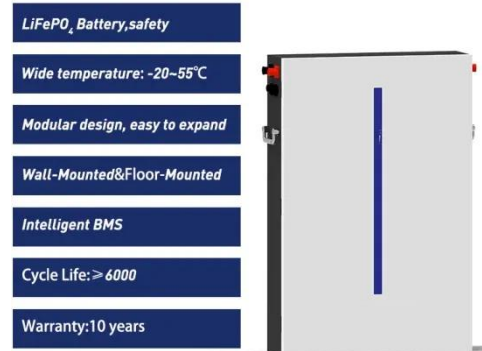


PFIC60K82P42 Foldable PV Container , 60kW/82kWh Solar ...

The PFIC60K64P42 is a compact all-in-one solar storage system integrating a 60kW power output, 82kWh energy storage capacity, and 30kWp high-efficiency foldable PV ...

Solarcontainer: The mobile solar system

Mounted on this frame is the innovative PV rail system and the clever folding mechanism of the solar panels, which enable the transport ...



All In One ISO Container 60kW 2 rack liquid ...

Schneider Electric Singapore. PFMICP060L1R002B - All In One ISO Container 60kW 2 rack liquid cooled 400V.

A product that has attracted worldwide attention - Folding ...

Soldier Operations: Deployable solar hubs supply power for field bases with hardened, encrypted EMS controls and ballistic-grade shelter. Think of a fold-up solar ...



Foldable power generation and energy storage warehouse

Compared with the Foldable Photovoltaic Power Generation Cabin, the folding

power storage warehouse is equipped with energy storage battery, which is more suitable for long-term ...



PFIC60K64P42 Foldable PV Container , 60kW/64kWh Solar ...

The PFIC60K64P42 is a compact all-in-one solar storage system integrating a 60kW power output, 64kWh energy storage capacity, and 30kWp high-efficiency foldable PV ...



Mobile photovoltaic folding container

Mobile Photovoltaic Folding Container is a cutting-edge energy solution that integrates high-performance solar modules, intelligent energy storage, charge-discharge management, and ...

Container Energy Storage System 60kW/128kWH Lifepo4 ...

Key attributes System Voltage 220 V
Output Power Range >50KW Grid

connection Off grid, Hybrid grid Battery
Type LiFePO4 Place of Origin
Guangdong, China System Type Wall ...



Fold-Out Solar Container Battery System France



Engineered for industrial resilience, this 40ft fold-out system offers 140kW solar power and 215kWh storage. Equipped with durable 480W PV panels, it supports manufacturing zones or ...

Fold-Out Solar Container Battery System Netherlands

Engineered for industrial resilience, this 40ft fold-out system offers 140kW solar power and 215kWh storage. Equipped with durable 480W PV panels, it supports manufacturing zones or ...



Mobile Solar PV Container , Portable Solar Power Solutions

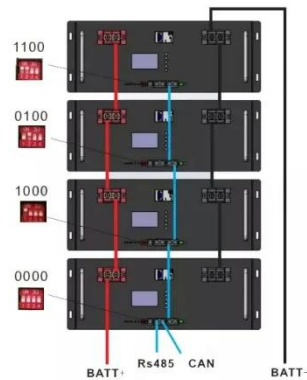
The HJ Mobile Solar Container comprises a wide range of portable containerized



solar power systems with highly efficient folding solar modules, advanced lithium battery storage, and ...

COLLAPSECON -- Spectainer

COLLAPSECON is the next evolution of shipping containers - a fully automated collapsible container that will improve operational efficiencies, ...



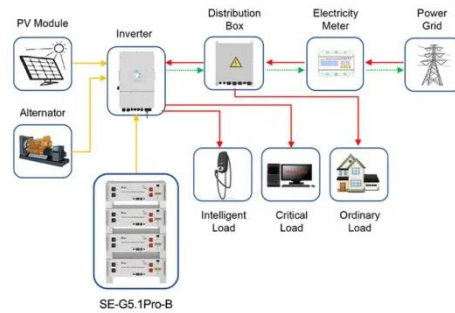
Mobile Solar Container Systems , Foldable PV ...

LZY Mobile Solar Container System with 20-200kWp foldable PV panels and 100-500kWh battery storage, deployable in under 3 hours.

Fold-Out Solar Container Battery System France

High-Efficiency Fold-Out Solar Container Battery System , Fold-Out Solar

Container Battery System Direct from Factory , Competitive Pricing for France In France, an increasing number ...



Application scenarios of energy storage battery products



Fold-Out Solar Container Battery System Latvia

High-Efficiency Fold-Out Solar Container Battery System , Fold-Out Solar Container Battery System Direct from Factory , Competitive Pricing for Latvia In Latvia, an increasing number of ...

Solarcontainer: The mobile solar system

Mounted on this frame is the innovative PV rail system and the clever folding mechanism of the solar panels, which enable the transport dimensions and lifting points of a ...



All In One ISO Container 60kW 2 rack liquid cooled 400V

Schneider Electric Nigeria.
PFMICP060L1R002B - All In One ISO



Container 60kW 2 rack liquid cooled 400V.

APC All In One ISO Container 60kW 2 rack ...

View APC All In One ISO Container 60kW 2 rack liquid cooled 400V for more information. Product quality, nationwide delivery & warranty guaranteed.



PFIC60K82P60 Foldable PV Container , 60kW/82kWh Solar ...

The PFIC60K82P60 is a compact all-in-one solar storage system integrating a 60kW power output, 82kWh energy storage capacity, and 60kWp high-efficiency foldable PV ...



48V 100Ah

Mobile Solar Container Systems , Foldable PV Panels , LZY Container

LZY Mobile Solar Container System with 20-200kWp foldable PV panels and

100-500kWh battery storage, deployable in under 3 hours.



Helsingfors, Finland

The port's Vuosaari container terminal handles a substantial portion of Finland's containerized cargo, with a capacity to manage shipments of 4000 TEUs. Helsinki's port is crucial for ...

Contact Us

For catalog requests, pricing, or partnerships, please contact:

BLINK SOLAR

Phone: +48-22-555-9876

Email: info@blinkartdesign.pl

Website: <https://www.blinkartdesign.pl>

Scan QR code to visit our website:

