

BLINK SOLAR

600kW Smart Photovoltaic Energy Storage Container

Lithium battery parameters

Product capacity: 100Ah

Product size: 135*197*35mm

Product weight: 1.82kg 197mm
/7.7in

Product voltage: 3.2V

internal resistance: within 0.5



Overview

How a solar power container can meet the electricity demand?

Solar power Containers can meet the electricity demand of the engineering site through rapid deployment. Port electricity supporting scene; Seawater desalination scene; Island floating shelter scene. Port . By integrating efficient photovoltaic modules and energy storage systems, solar power container can .

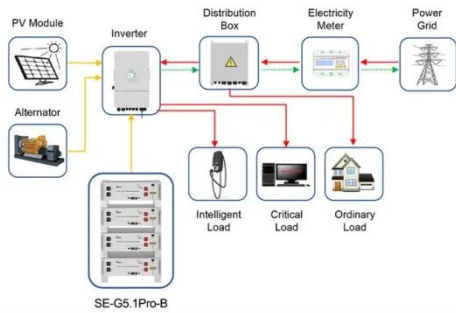
Where are solar power plants made?

Headquartered in Shanghai with 50,000+ production bases across Jiangsu, Zhejiang, and Guangzhou, the company employs 1,000+ professionals, including 20+ engineers driving energy storage technology. ISO/TUV/CE-certified units deliver rapid-deploy solar power for off-grid, emergency, and mobile applications, reducing emissions by 70% vs diesel.

Why should you choose a solar storage container?

Customize your container according to various configurations, power outputs, and storage capacity according to your needs. Lower your environmental impact and achieve sustainability objectives by using clean, renewable solar energy. Lower energy/maintenance costs ensure operational savings.

600kW Smart Photovoltaic Energy Storage Container



Application scenarios of energy storage battery products

Energy Storage System 600kwh Solar Photovoltaic Energy 300kw Ess Container

Energy Storage System 600kwh Solar Photovoltaic Energy 300kw Ess Container, Find Details and Price about Lithium Phosphate Battery Ess from Energy Storage System ...

Modular Solar Power Station Container Factory

Founded in 2016, Senta Energy Co., Ltd., located in Wuxi, Jiangsu, is a high-tech enterprise mainly engaged in new energy photovoltaic power generation and energy storage business, ...



Energy Storage Container System 180Kw 360Kw 480Kw 600Kw ...



Energy Storage Container System 180Kw 360Kw 480Kw 600Kw Solar Power System With Lithium Iron Phosphate Battery Shanghai, China Manufacturer, Supplier, Supply, Based in ...

600kW 1.2MWH 20' Container Hybrid BESS Mining ...

600kW 1.2MWH 20' Container Hybrid BESS Mining Construction and Remote Industry Co-work Diesel Generator PV Solar

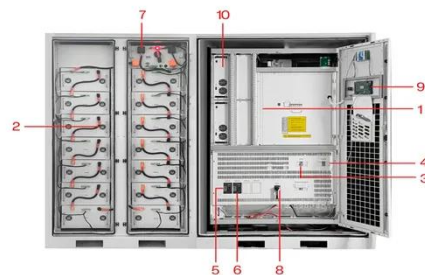


Mobile Solar Container Manufacturers

Senta Energy Co., Ltd. - Mobile Solar Container Manufacturers and Turnkey Solar Containerized Power Plant Suppliers, Movable Solar Power Plant, PV Solution in China.

Sunpal Energy Storage Battery Container 500 ...

Sunpal is a global leader in energy storage solutions, dedicated to providing cutting-edge products and tailored solutions for ...



- 1 PCS Module
- 2 Battery room
- 3 Grid side circuit breaker
- 4 Load side circuit breaker
- 5 OPV1 side circuit breaker
- 6 OPV2 side circuit breaker
- 7 High Volt Box
- 8 BAT side circuit breaker
- 9 LCD display screen
- 10 MPPT

Solar Container , Large Mobile Solar Power Systems

LZY container specializes in foldable PV container systems, combining R& D,

smart manufacturing, and global sales. Headquartered in Shanghai with 50,000m²+ production bases ...



Direct From The Factory 600kw Solar Large Energy Storage ...

Direct From The Factory 600kw Solar Large Energy Storage Off-grid Ess Battery Pack Holder Systems, Find Complete Details about Direct From The Factory 600kw Solar Large Energy ...



Energy Storage System 600kwh Solar ...

Energy Storage System 600kwh Solar Photovoltaic Energy ...



Mobile Solar Container Manufacturers

Senta Energy Co., Ltd. - Mobile Solar Container Manufacturers and Turnkey

Solar Containerized Power Plant
Suppliers, Movable Solar Power Plant, ...



**Commercial Solar Storage Container
Power Energy System Hybrid 600kw**

10000 - 99999 Watts \$0.55 ≥ 100000
Watts \$0.34 Solar Power (W): 600KW
System Type: On-Grid Solar System Off-
Grid Solar System Hybrid Solar System
Inventory Status: In Stock ...

**Sunpal Energy Storage Battery
Container 500 600 Kw ...**

Sunpal is a global leader in energy storage solutions, dedicated to providing cutting-edge products and tailored solutions for residential, commercial, and utility ...



**Sunrange 600kwh 1600kwh
2600kwh Energy Storage Container
...**

Sunrange 600kwh 1600kwh 2600kwh

50KW modular power converter



Energy Storage Container Fireproof LFP Container for Reliable Backup Power, Find Details and Price about Large 500kw 1mwh ...

Contact Us

For catalog requests, pricing, or partnerships, please contact:

BLINK SOLAR

Phone: +48-22-555-9876

Email: info@blinkartdesign.pl

Website: <https://www.blinkartdesign.pl>

Scan QR code to visit our website:

