

## BLINK SOLAR

# 5kw solar system with battery in Puerto-Rico



✓ 100KWH/215KWH

✓ LIQUID/AIR COOLING

✓ IP54/IP55

✓ BATTERY 6000 CYCLES



## Overview

---

Does Puerto Rico need a solar battery?

Yes, a battery is considered an essential component of a solar installation in Puerto Rico to provide backup power during frequent grid outages. Sources & References: New Jersey native James Kahle is a home energy expert dedicated to helping thousands of homeowners nationwide trade high energy bills for solar power.

How much does a solar system cost in Puerto Rico?

For homeowners in Puerto Rico, the average cost for a professionally installed residential rooftop solar system typically ranges from \$18,000 to \$35,000 before any tax credits or incentives are applied. Due to the critical need for backup power, this price almost always includes a solar battery.

What is a solar battery & inverter in Puerto Rico?

**Solar Battery:** A crucial component for every solar installation in Puerto Rico, allowing you to store excess energy for use during frequent grid outages.  
**Inverter (s):** The essential device that converts solar energy into usable electricity for your home.

Is solar a good idea in Puerto Rico?

Puerto Rico's renewable energy goals of 40% by 2025 and 100% by 2050 highlight the push for solar energy, offering long-term savings, energy independence, and a more sustainable future for homeowners. Is it Worth Going Solar in Puerto Rico?

The average cost of solar panels in Puerto Rico ranges from \$2.86 to \$3.07 per watt in 2025.

## 5kw solar system with battery in Puerto-Rico

---



### Solar Batteries Puerto Rico: A Sustainable Energy Solution

Puerto Rico, with its abundant sunlight, is an ideal location for adopting solar energy solutions. In recent years, the demand for solar batteries in Puerto Rico has skyrocketed as ...

### PowMr on LinkedIn: 5kW Solar System as Backup Power in Puerto Rico

@Elias Martinez Diaz has successfully implemented a 5kW solar system as backup power in Puerto Rico using PowMr's advanced solar energy products, including the POW ...



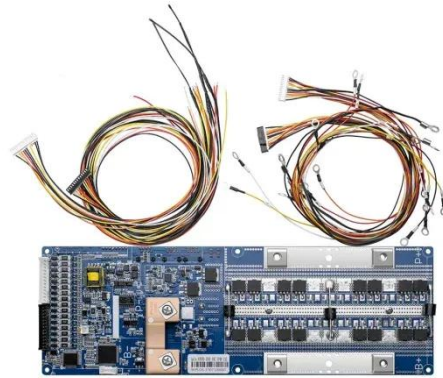
### Solar vs. Backup Generators in Puerto Rico's Uncertain Grid

Since its privatization in 2021, LUMA Energy, Puerto Rico's electric utility company, has faced scrutiny for frequent blackouts and rising electricity costs. This unreliable ...



## A Rooftop Solar System is the Solution for Puerto Rico

How much energy can the sun provide? Puerto Rico gets enough sun to provide more than 4x its energy needs. And most homes in Puerto Rico, even small ones, may meet ...

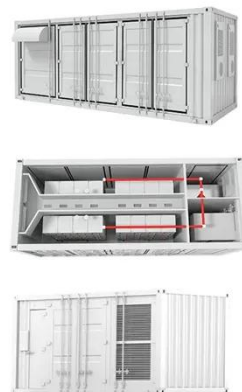


## 5kW Solar System as Backup Power in Puerto Rico

Elias Martinez Diaz has successfully implemented a 5kW solar system as backup power in Puerto Rico using PowMr's advanced solar energy products, including the POW ...

## Sol-Ark 5K-1P (120V)

The Sol-Ark 5K is a versatile all-in-one solar generator system designed for both on-grid and off-grid applications. Operating at 5kW with a 48-volt setup, this system integrates an inverter and ...



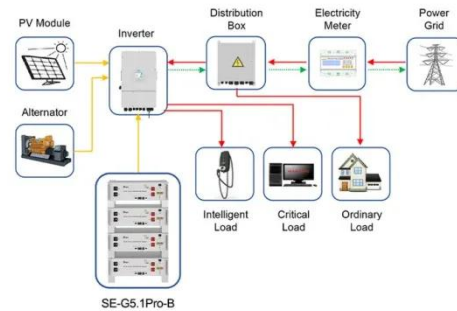
## How Much Do Solar Panels Cost in Puerto Rico? 2025 Guide



Learn how much solar panels cost in Puerto Rico in 2025. Explore prices, incentives, and savings opportunities for energy independence.

## The Cost of Solar Panels in Puerto Rico (2025 Guide)

The Cost of Solar Panels in Puerto Rico (2025 Guide) For homeowners in Puerto Rico, the average cost for a professionally installed residential rooftop solar system typically ...



Application scenarios of energy storage battery products



## Puerto Rico Residential Battery Storage Installation

When homeowners in Rincon, Puerto Rico were interested in running their guest house on solar and battery storage, Alex Rowe of Clean Solar System was eager to help. With ...

## Contact Us

For catalog requests, pricing, or partnerships, please contact:

**BLINK SOLAR**

Phone: +48-22-555-9876

Email: [info@blinkartdesign.pl](mailto:info@blinkartdesign.pl)

Website: <https://www.blinkartdesign.pl>

*Scan QR code to visit our website:*

