

## BLINK SOLAR

# 450 solar panel working current



## Overview

---

How many cells are in a 450 watt solar panel?

Bluesun Solar's 450w solar panel features 96 cells. It is a Mono Perc 450w 450watt Solar Panel with high efficiency and is suitable for home solar power systems and solar power plants.

How much energy does a 450W solar panel produce?

A 450W solar panel typically produces 1.8-2.7 kWh per day under average conditions. The actual output depends on geographic location, seasonal variations, panel orientation, tilt angle, and weather conditions. Southern regions with more sun hours will see higher production, while winter months yield less energy than summer months.

What are the benefits of 450 watt solar panels?

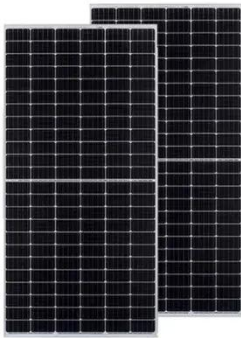
Key benefits of 450W solar panels include: 450 watt solar panels are ideal for commercial installations, utility-scale projects, and large residential systems where maximum power output is prioritized.

How long do 450W solar panels last?

Performance warranties guarantee minimum power output over time: High-quality 450W panels typically exhibit degradation rates of 0.4-0.7% annually, meaning they retain 80-85% of original capacity after 25 years. Premium panels with advanced N-type technologies may degrade even more slowly, with rates as low as 0.25% annually.

## 450 solar panel working current

---

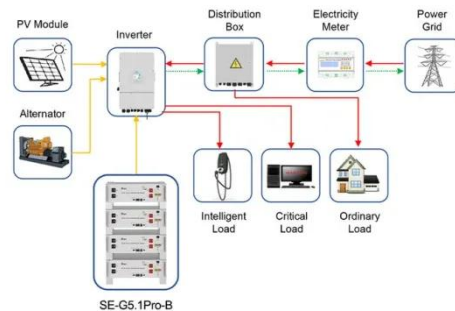


### Understanding 450w Solar Panel: Material Grades, ...

Discover everything about 450w solar panels: material grades, efficiency, performance in real-world conditions, and key industrial applications. Learn how specs impact output and where ...

### 450W TED Solar Panel

450W TED Solar Panel Shingling Technology: Innovative structure, low-temperature adhesive bonding, high-density layout.



Application scenarios of energy storage battery products

### Understanding Solar Panel Voltage and ...

Understanding solar panels specifications can feel like reading a foreign language. A strange assortment of numbers without definitions. It's time ...



## 450w photovoltaic panel voltage and current The 450w ...

The 450w solar panel is ideal for a variety of DC applications, including RVs, boats, 12-Volt battery charging and LED lights. Made with high-efficiency mono solar cells for years of ...

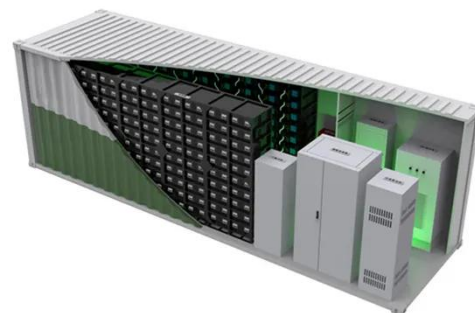


## How Much Power Does a 450W Solar Panel Produce Daily?

Learn how much power a 450W solar panel produces, common myths, downsides, and FAQs to help you make informed solar energy decisions.

## How much power can Longi Solar 450w panels generate per ...

Applications of Longi 450w Solar Panels  
 Longi 450w solar panels are suitable for a wide range of applications, including residential and commercial installations. Residential Use For a typical ...



## What is the maximum current of a 450w solar panel

A 450W solar panel, operating at 36V, yields about 12.5 amps ( $450W / 36V$ )

= 12.5A) when exposed to optimal sunlight conditions. As promised, we've covered the essential steps to calculate

...



---

## 450 Watt Solar Panel Guide: Best Models, Performance

Complete guide to 450W solar panels. Compare top models, understand performance specs, and find the best panels for your needs. Expert analysis & buying advice.



---

## 450 Watt Solar Panel Guide: Best Models, ...

Complete guide to 450W solar panels. Compare top models, understand performance specs, and find the best panels for your needs. ...

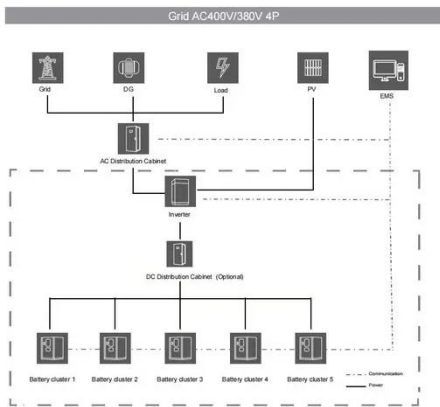


---

## Comprehensive Guide to 450W Solar Panels: Efficiency and ...

Additionally, this guide will provide insights into installation best practices,

maintenance tips, and real-world applications of 450W solar panels in various settings. ...



### What is the open

When comparing different 450w solar panels, it is essential to consider the open - circuit voltage in conjunction with other performance parameters such as the maximum power ...

### Understanding Solar Panel Voltage and Current Output

Understanding solar panels specifications can feel like reading a foreign language. A strange assortment of numbers without definitions. It's time to decode these solar secrets so you can ...



### Contact Us

For catalog requests, pricing, or partnerships, please contact:

**BLINK SOLAR**

Phone: +48-22-555-9876

Email: [info@blinkartdesign.pl](mailto:info@blinkartdesign.pl)

Website: <https://www.blinkartdesign.pl>

*Scan QR code to visit our website:*

