

## BLINK SOLAR

# 40 kWh battery cabinet price



## Overview

---

What is a 40 kWh battery bank?

This 40 kWh battery bank design for home solar energy storage system. with 8pcs 48v 100Ah batteries. total 48v 1000Ah in a rack cabinet. This is a standard server rack 19". 40 kWh energy long life span. Coremax 40kwh lithium battery bank with light weight and takes small space for installation. As we are supply directly from our factory.

What is Coremax 40 kWh lithium battery energy storage system?

Coremax 40 KWh lithium battery energy storage system is an all-in-one solar and storage solution which integrates the Server rack cabinet, battery bank packs , connection wires, and battery enclosure into a pre-wired modular system for easier and faster installation.

How much does a 40 kWh battery cost?

The US Advanced Battery Consortium states that the target long-term minimal selling price of a mass-produced (25,000 units) 40 KWh battery pack is US\$150 kWh –1. Clearly, whichever technology is used, a significant reduction in cost is required to enable mass commercialization.

What is a 48 volt 40 kWh battery pack?

This 48 Volt 40 kWh battery pack design for Solar Power Systems Battery Storage. 48 volt 800Ah is built-in high quality BMS battery management system, which can manage and monitor cells information ,including voltage, current and temperature etc. Also, our BMS can balance cells charging and discharging to extend cycle life.

## 40 kWh battery cabinet price

---



### **PAC hybrid off grid battery storage 40kwh all in one ...**

PAC off grid battery storage 40kwh all in one lithium batteries for solar system, outdoor use, with 8kw split phase hybrid inverter, for home storage.

---

### **Sunway 460V 105Ah 210Ah 32Kw 40Kwh ...**

Energy Storage 30-86KWH Hybrid  
Lithium Battery Solar Power System  
100kw with EMS Model Number: LFP3048  
Capacity: 48KWH Battery ...



---

### **Solar Energy Storage Battery Cabinet 10kwh 20kwh 30kwh ...**

Solar Energy Storage Battery Cabinet  
10kwh 20kwh 30kwh 40kwh 50kwh 48V  
51.2V 100ah LiFePO4 Lithium Battery  
Storage Cabinets, Find Details and Price  
about ...



## 40KWh Battery Stackable Energy Storage

40KWh battery stackable energy storage with 5kw solar inverter on top layer, high energy density, for residential and commercial use.



## 48V 40Kw Lithium Battery Energy Storage

Home » Products » Rack Mounted Lithium Battery » 48V 800Ah Dawnice 48V 40Kw Lithium Battery Energy Storage 51.2V 800Ah 40Kwh Lifepo4 Battery Product Name: ...

## What is the price of 40 kWh lithium ion battery?

Explore the factors influencing the cost of a 40 kWh lithium ion battery. This guide covers GYCX Solar product insights for efficient ...

Energy storage(KWH)

**102.4kWh**

Nominal voltage(Vdc)

**512V**

Outdoor All-in-one ESS cabinet



## Why a 40 kWh Lithium Battery Could Be Your Energy Game ...

40 kWh Lithium Batteries: More Than Just a Power Bank Think of a 40 kWh

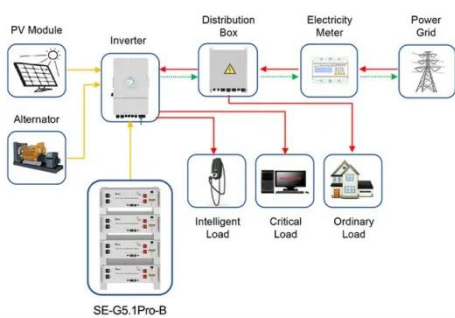
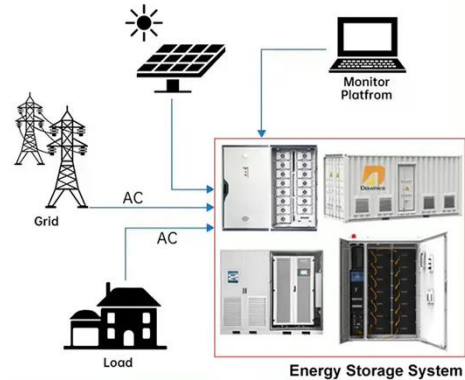
lithium battery as the Swiss Army knife of energy storage. It's big enough to power a small house for ...



**Sunway 460V 105Ah 210Ah 32Kw 40Kwh 48Kwh 64Kwh 86Kwh Lithium Battery**

Energy Storage 30-86KWH Hybrid Lithium Battery Solar Power System 100kw with EMS Model Number: LFP3048 Capacity: 48KWH Battery Rated Voltage: 460V Dimensions(mm): ...

**DISTRIBUTED PV GENERATION + ESS**



Application scenarios of energy storage battery products

**40 kWh Solar Battery**

These solar batteries are rated to deliver 40 kilo-watt hours kWh per cycle. Check your power bills to find the actual kWh consumption for your home ...

**Solar Energy Storage Battery Cabinet 40kwh ...**

Solar Energy Storage Battery Cabinet 40kwh 48v 51.2v Home Battery Power

## Energy Storage Bank Indoor Photovoltaic Energy Cabinet



### **PAC hybrid off grid battery storage 40kwh all in one lithium batteries**

PAC off grid battery storage 40kwh all in one lithium batteries for solar system, outdoor use, with 8kw split phase hybrid inverter, for home storage.

### **40kwh Lithium Battery Storage For Home, Solar Use**

The Delong 40kWh lithium battery has a lifespan of 6,500 cycles. You can choose from low voltage, high voltage, rack-mounted, or cabinet-mounted.



### **solar house energy storage lithium ion 48v 800ah 40 kwh battery ...**

This 40 kwh battery bank design for home solar energy storage system. with

8pcs 48v 100Ah batteries. total 48v 1000Ah in a rack cabinet. This is a standard server rack 19". 40 kwh energy

...



---

## 40 kWh Solar Battery

These solar batteries are rated to deliver 40 kilo-watt hours kWh per cycle. Check your power bills to find the actual kWh consumption for your home or business. Find the average per day and ...



---

## 40 kwh battery

The 40 kWh battery is a powerhouse that has revolutionized the way we store and use energy. Often utilized in electric vehicles and various renewable energy systems, this battery size ...



---

## Solar Energy Storage Battery Cabinet 40kwh 48v 51.2v Home Battery ...

Solar Energy Storage Battery Cabinet

40kwh 48v 51.2v Home Battery Power Energy Storage Bank Indoor Photovoltaic Energy Cabinet



**40kWh Home Energy Storage Battery 51.2V ...**

About this item ??4PCS 51.2V 206Ah Module? Dawnice 40kWh home energy storage battery consists of 4 3 51.2V 206Ah ...

**PAC hybrid off grid battery storage 40kwh all ...**

PAC off grid battery storage 40kwh all in one lithium batteries for solar system, outdoor use, with 8kw split phase hybrid inverter, for home storage.



**LIBSESMG17IEC**

Schneider Electric Philippines. LIBSESMG17IEC - Galaxy Lithium-ion Battery Cabinet IEC with 17 x 2.04 kWh

battery modules.



**40kWh Home Energy Storage Battery 51.2V 206Ah LiFePO4 Battery ...**

About this item ??4PCS 51.2V 206Ah Module? Dawnice 40kWh home energy storage battery consists of 4 3 51.2V 206Ah modules connected in parallel, each LiFePO4 ...



**Sol-Ark L3-HV-40-KWH Indoor Battery Bank**

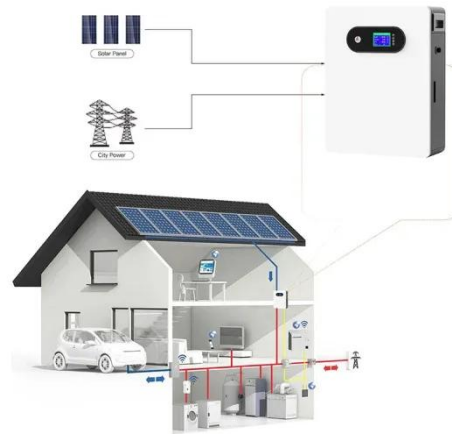
The L3-HV-40-KWH battery is made up of several (8) 51.2 kWh batteries to make 40kWh. The BOS-G (HV) is easily scalable, and you can expand ...



**51.2V 800Ah 40 kWh LuxPowerTek LiFePO4 ...**

The safe Lithium Iron Phosphate (LiFePO4 or LFP) batteries with enclosure

makes installation simple with copper bus bars for each battery module. ...



## Sol-Ark

Efficient and reliable, the Sol-Ark Battery L3-HV-40 offers 40kWh of energy storage, ideal for sustainable power solutions. Perfect for homes and ...



## 40kWh Solar Battery - Reliable High-Capacity ...

Discover how a 40kWh solar battery provides reliable backup and energy savings for commercial sites and large homes. See pricing and benefits.



## Sunark Energy Storage Outdoor Battery Cabinet 40kwh ...

Sunark Energy Storage Outdoor Battery Cabinet 40kwh 50kwh 60kwh

Rechargeable Strong Scalability Lithium Battery Cabinet, Find Details and Price about Energy ...



---

## Contact Us

---

For catalog requests, pricing, or partnerships, please contact:

### **BLINK SOLAR**

Phone: +48-22-555-9876

Email: [info@blinkartdesign.pl](mailto:info@blinkartdesign.pl)

Website: <https://www.blinkartdesign.pl>

Scan QR code to visit our website:

