

BLINK SOLAR

30kW Energy Storage Container for Tunnels



Overview

What is a 30kW power output & capacity?

High Capacity: The 30KW power output and 30KWH capacity deliver reliable energy storage and backup for businesses. This makes it an essential tool for battery energy storage solutions across various industries.

Why should you choose Sunland's energy storage system?

As one of the top lithium-ion battery manufacturers, we offer innovative and sustainable energy storage systems tailored to your needs. Discover SUNLAND's ESS 30KW 30KWH Energy Storage System, a reliable backup power solution for commercial applications, integrating seamlessly with renewable energy sources.

What makes ESS 30kW 30kWh a good battery?

Advanced Lithium Battery Manufacturing for Efficiency Built with the latest in lithium battery manufacturing technology, the ESS 30KW 30KWH system is compact and highly efficient, providing a long lifecycle with minimal maintenance requirements.

How does a solar energy storage system work?

This energy storage system is ideal for pairing with renewable energy sources such as solar or wind. It efficiently stores excess energy during peak production periods and supplies it during low-production times. This integration maximizes the efficiency of your renewable energy sources, reducing energy waste.

30kW Energy Storage Container for Tunnels



Industrial and Commercial Energy Storage Container 30kw ...

Ess adopts an "All-In-One" design concept, with ultra-high integration that combines energy storage batteries, BMS (Battery Management System), PCS (Power Conversion ...

PFIC30K46P30 Foldable PV Container , 30kW/46kWh Solar Storage...

The PFIC30K46P30 is a compact all-in-one solar storage system integrating a 30kW power output, 46kWh energy storage capacity, and 30kWp high-efficiency foldable PV ...



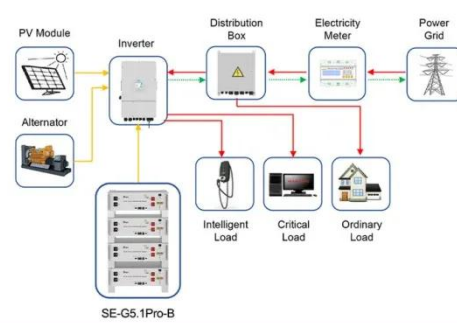
30KW 50KWH battery sytem container



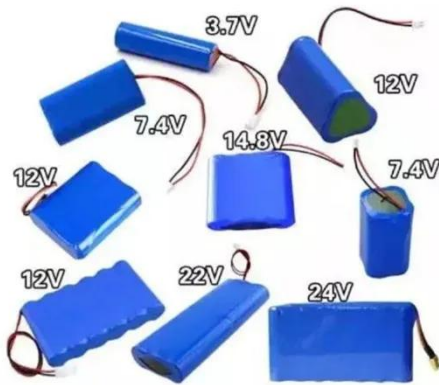
Our energy storage cabinet is a state-of-the-art lithium iron phosphate (LiFePO?) 30KW 50KWH battery sytem that is specifically designed for efficient, reliable, and versatile ...

SUNWAY 30KW 51.2KWH Energy Storage System

Fast Charging: High-voltage LiFePO4 batteries can support relatively fast charging, which can be useful in applications where rapid replenishment of energy is required. Wide ...



Application scenarios of energy storage battery products



Energy Storage in Underground Tunnels: The Future of ...

Imagine a world where unused tunnels--once just dark, empty spaces--become giant batteries powering cities. Sounds like sci-fi? Well, it's already happening. Energy storage ...

SUNWAY 30KW 51.2KWH Energy Storage System

Fast Charging: High-voltage LiFePO4 batteries can support relatively fast charging, which can be useful in applications where rapid replenishment of energy is required. Wide Temperature ...



Commercial 30KW Energy Storage Power Container 40KWh ...



Buy low price Commercial 30kw Energy Storage Power Container 40kwh 60kwh 30 40kva Ups All In One Inverter Lifepo4 Battery Hybrid Grid System by Shenzhen CTECHi Technology Co., ...

High Voltage All-In-One Hybrid ESS 30KW/50KWh Battery Energy Storage

High Voltage All-In-One Hybrid ESS 30KW/50KWh Battery Energy Storage Flexible All-in-one design and highly integrated Modular design with different optional parts ...



Industrial and Commercial Energy Storage Container 30kW ...

Introducing the Industrial and Commercial Energy Storage Container by Dawnice. This modular battery system offers flexible capacity options ranging from 30kW to 350kWh, designed for ...

Rosen Energy Management System 30kVA 30kw Container

Battery Energy

Rosen Energy Management System
30kVA 30kw Container Battery Energy
Storage System, Find Details and Price
about Power Grid Ess System Thermal
Storage ...



Contact Us

For catalog requests, pricing, or partnerships, please contact:

BLINK SOLAR

Phone: +48-22-555-9876

Email: info@blinkartdesign.pl

Website: <https://www.blinkartdesign.pl>

Scan QR code to visit our website:

