

**BLINK SOLAR**

# **3 6 kw solar inverter factory in Germany**



## Overview

---

How big is the European solar inverter market?

The European solar inverter market is set to grow from USD 2.85 billion in 2024 to USD 3.66 billion by 2029, with a growth rate of 5.06% annually. This growth is driven by government incentives, investments in solar energy, and a focus on reducing carbon emissions. Germany is the largest market, followed by the UK and France.

Where can Deye solar inverter be installed?

Deye Solar inverters have been installed in more than 60 countries (e.g. Australia, Brazil, India, the UK, Germany, Italy, Belgium, Spain etc.) SUN 3.6/6K-SG hybrid inverter, is suitable for residential and light commercial use, maximizing self-consumption rate of solar energy and increasing your energy independence.

Which countries use the most solar inverters?

Germany is the largest market, followed by the UK and France. Central inverters for large solar projects are expected to dominate, while micro inverters for homes are also growing. Hybrid inverters, which combine solar and battery storage, are gaining popularity as more people seek energy independence.

Who is int solar?

INVT Solar, is a solar products and solutions provider with core inverter technology, specializing in the production of solar inverter series products. Business scope includes on-grid inverter, off-grid inverter, solar water pump inverter, energy storage inverter, and smart PV Solution. Welcome to inquire

## 3 6 kw solar inverter factory in Germany

---



### **SUN-3/3.6/5/6K-SG04LP1-EU-SM1/SM2 Inverter Company, ...**

\*For the SUN-3.6K-SG04LP1-EU-SM2, the maximum output current will be capped at 15.7A to comply with the G98 standard.

---

### **Find out more about hybrid inverters , SMA ...**

Hybrid Inverters: functions, benefits and products at a glance A hybrid inverter is a 2-in-1 solution combining both solar and battery in one single ...



---

### **Sunway Deye 3.6kw 5kw 6kw 230V Single Phase Hybrid ...**



Deye Solar inverters have been installed in more than 60 countries (e.g. Australia, Brazil, India, the UK, Germany, Italy, Belgium, Spain etc.) Model Number: SUN-6K-SG03LP1 ...

## **FU-SUN-3.6/5/6K-SG03LP1-EU , 3.6-6KW**

FU-SUN 3.6/6K-SG,hybrid inverter, is suitable for residential and light commercial use, maximizing self-consumption rate of solar energy and ...



## **FU-SUN-3.6/5/6K-SG03LP1-EU , 3.6-6KW , Single Phase**

FU-SUN 3.6/6K-SG,hybrid inverter, is suitable for residential and light commercial use, maximizing self-consumption rate of solar energy and increasing your energy impendence.

## **SMA Solar Technology AG**

Discover SMA Solar Technology, a global specialist for solar inverters and PV technology with solutions for home owners, business owners and large scale PV plants.



## **LXP Hybrid 3-6k**

The LXP Hybrid 3-6k is an inverter that stores PV energy in the battery during the day. Discharges to the load at night.



- 
**Efficient Higher Revenue**
  - Max. Efficiency 97.5%
  - Max. PV Input Voltage 600V
  - 150% Peak Output Power
  - 2 MPPT Trackers, 150% DC Input Oversizing
  - Max. PV Input Current 16A, Compatible with High Power Modules
- 
**Intelligent Simple O&M**
  - IP65 Protection Degree: support outdoor installation
  - Smart I-V Curve Diagnosis Function: locate PV string faults accurately and automatically detect faults
  - DC & AC Type II SPD: prevent lightning damage
  - Battery Reverse Connection Protection
- 
**Flexible Abundant Configuration**
  - Plug & Play, EPS Switching Under 30ms
  - Compatible with Lead-acid and Lithium Batteries
  - Max. 6 units Inverters Parallel
  - AFCI Function (Optional): when an arc fault is detected the inverter immediately stops operation

## Deye SUN-3.6/5/6K-SG03LP1-EU , 3.6-6kW , Single Phase , 2 ...

SUN-3.6/5/6K-SG03LP1-EU hybrid inverter, is suitable for residential and light commercial use, maximizing self-consumption rate of solar energy and increasing your energy impendence. ...



## XD3.6-6kWSingle-phase Hybrid Inverter

INVT Solar, is a solar products and solutions provider with core inverter technology, specializing in the production of solar inverter series ...



## Hybrid inverter , Grovolt

Grovolt - Orval 6 kw MPPT Solar inverters, Hybrid inverter o Pure sine wave outputo Self-consumption and

Feed-in to the grid Built-in MPPT solar ...



### SMA unveils hybrid inverters for residential ...

SMA's new one-phase hybrid inverters have efficiency ratings of up to 97.5% and European efficiency ratings of 96.8%. They are ...

### 3.6 kW Solar Inverter Suppliers: Manufacturing Insights, ...

Evaluate 3.6 kW solar inverter suppliers from China with verified production capabilities, efficiency metrics above 97%, and compliance to IEC 62109, UL 1741, and CE standards. Compare ...



### Solar Inverter Manufacturers , PV Companies List , ENF ...

Solar Inverter Manufacturers Companies involved in Inverter production, a key

component of solar systems. 1,383 Inverter manufacturers are listed below.



### GSL Energy , GSL 3.6-5K-EU , Solar Inverter ...

Shenzhen GSL Energy Co., Ltd. Solar Inverter Series GSL 3.6-5K-EU. Detailed profile including pictures, certification details and manufacturer PDF



### XD3.6-6kW Single-phase Hybrid Inverter

INVT Solar, is a solar products and solutions provider with core inverter technology, specializing in the production of solar inverter series products. Business scope ...

### Wysher 3.6kw 4.2kw 6.2kw Single Phase off ...

Our factory TU ENERGY STORAGE TECHNOLOGY (SHANGHAI) CO., LTD.,

established in 2017, is a high-tech enterprise ...



### **Deye Hybrid Wechselrichter 3,6kW 1-Phasen ...**

Höhere Erträge / Sicher und Zuverlässig / Smart / Benutzerfreundlich SUN-3.6K-SG03LP1-EU, Hybrid-Wechselrichter, eignet sich für den privaten ...

### **Deye Hybrid Wechselrichter 3,6kW 1-Phasen Niedervolt EU ...**

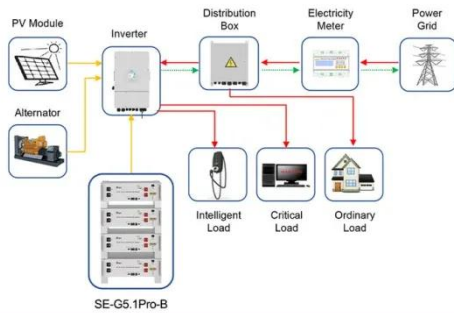
Höhere Erträge / Sicher und Zuverlässig / Smart / Benutzerfreundlich SUN-3.6K-SG03LP1-EU, Hybrid-Wechselrichter, eignet sich für den privaten und leichten gewerblichen Gebrauch. Er ...



### **KOSTAL PIKO MP plus 3.6-2 Hybrid Inverter 3.6 kW**

KOSTAL PIKO MP plus 3.6-2 Hybrid Inverter 3.6 kW The new PIKO MP plus is

the new standard for single-phase inverters. He impresses with his flexibility and reliability! Features: Made in ...



Application scenarios of energy storage battery products

## Austa Solar, AustaSolar, ESS

Austa Solar is a premier high-tech enterprise under the OSDA Group, specializing in the manufacturing of high-efficiency solar panels since ...



## SUN-3/3.6/5/6K-SG04LP1-EU-SM1/SM2 ...

\*For the SUN-3.6K-SG04LP1-EU-SM2, the maximum output current will be capped at 15.7A to comply with the G98 standard.

## Sunway Deye 3.6kw 5kw 6kw 230V Single Phase Hybrid Solar Inverter

Deye Solar inverters have been installed in more than 60 countries (e.g. Australia,

Brazil, India, the UK, Germany, Italy, Belgium, Spain etc.) Model Number: SUN-6K-SG03LP1-EU Output ...



**1mwh** (500kw/1mw)

AIR COOLING  
ENERGY STORAGE CONTAINER



### **Deye SUN-3.6/5/6K-SG03LP1-EU , 3.6-6kW**

SUN-3.6/5/6K-SG03LP1-EU hybrid inverter, is suitable for residential and light commercial use, maximizing self-consumption rate of solar energy ...

### **Top 8 Solar Inverter Manufacturers in Europe: 2025 Guide**

The European solar inverter market is set to grow from USD 2.85 billion in 2024 to USD 3.66 billion by 2029, with a growth rate of 5.06% annually. This growth is driven by ...



### **Discover PV and solar inverters by SMA!**

In this summary, discover the SMA solar inverters: the right device for any

application. Learn more now!



---

## Contact Us

---

For catalog requests, pricing, or partnerships, please contact:

### **BLINK SOLAR**

Phone: +48-22-555-9876

Email: [info@blinkartdesign.pl](mailto:info@blinkartdesign.pl)

Website: <https://www.blinkartdesign.pl>

*Scan QR code to visit our website:*

