

BLINK SOLAR

1MW Smart Photovoltaic Energy Storage Container for Field Operations



Overview

What is a Megatrons 1MW battery energy storage system?

MEGATRONS 1MW Battery Energy Storage System is the ideal fit for AC coupled grid and commercial applications. Utilizing Tier 1 280Ah LFP battery cells, each BESS is designed for a install friendly plug-and-play commissioning. Each system is constructed in a environmentally controlled container including fire suppression.

What is Sunway ESS battery energy storage system (BESS)?

Sunway Ess battery energy storage system (BESS) containers are based on a modular design. They can be configured to match the required power and capacity requirements of client's application. Our containerised energy storage system (BESS) is the perfect solution for large-scale energy storage projects.

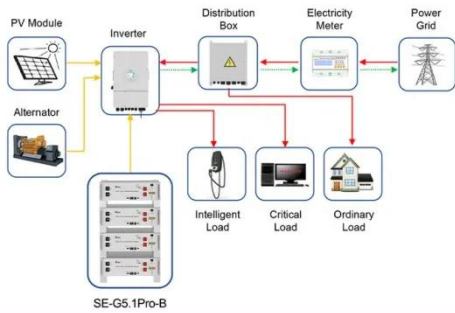
What is soliswatt ESS battery energy storage system (BESS)?

Soliswatt Ess battery energy storage system (BESS) containers are based on a modular design. They can be configured to match the required power and capacity requirements of client's application. Our containerised energy storage system (BESS) is the perfect solution for large-scale energy storage projects.

What is a meg-1000 power system?

MEG-1000's enhance the flexibility, economy, and safety of traditional power systems and significantly improve renewable energy access. The 1MW BESS systems utilize a 280Ah LFP cell and air cooling system which offers a better price to power ratio.

1MW Smart Photovoltaic Energy Storage Container for Field Operat



Application scenarios of energy storage battery products

Sunway 1Mw Battery Container Energy Storage System

Features of Sunway Energy Storage Container Energy Storage System
 1?Multilevel protection strategy to ensure the safe and stable operation of the system. 2?The technology is mature
 ...

ESS 500KW 1000KW 1MW 100 MW Solar Energy Storage ...

ESS Container Battery Our containerised energy storage system (BESS) is the perfect solution for large-scale energy storage projects. The energy storage containers can be ...



Standard 20ft containers



Standard 40ft containers

ESS 500KW 1000KW 1MW 100 MW Solar Energy Storage Battery Container

ESS Container Battery Our containerised energy storage system (BESS) is the perfect solution for large-scale energy storage projects. The energy storage containers can be ...

Sunway 300Kw 500Kw 800Kw 1Mw Battery Container ...

Application Scenario of Sunway Energy Storage Container Energy Storage System 1. PV station 2. Wind Grid side power station 3. Frequency regulation 4. Grid side 5. Industrial and ...

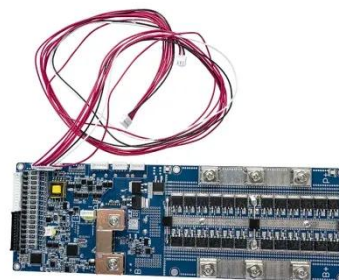


Higon Solar Delivers 1MW Containerized Energy Storage ...

The system includes a 1MW Power Conversion System (PCS), 1MWh of advanced lithium battery storage, and a custom-built 40-foot container. It is fully equipped with essential ...

Highjoule Launches 1MW Solar Folding Container Project in ...

Highjoule successfully deploys 1MW off-grid photovoltaic storage system in Guinea using innovative solar folding containers, providing sustainable energy for remote ...



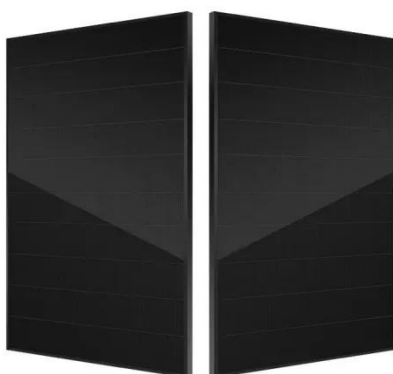
1MWh Energy Storage Container System



HJ-G1000-1000F 1MWh Energy Storage Container System is a highly efficient, safe and intelligent energy storage solution developed by Huijue Group. The system adopts lithium iron phosphate ...

1MW Solar Inverter Containerized Solar Energy Storage ...

1MW Solar Inverter Containerized Solar Energy Storage System Power Container, Find Details and Price about Lithium Phosphate Battery Ess from 1MW Solar Inverter ...

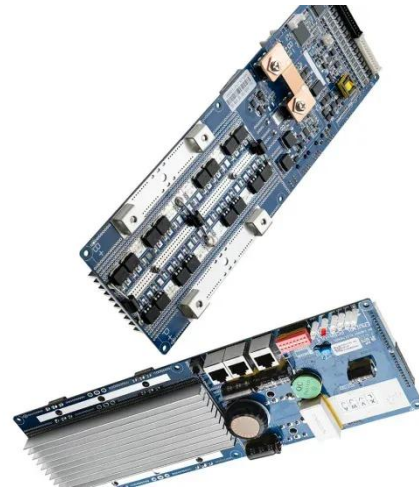


Solis ESS 1MW Battery Container Energy Storage System-Energy Storage

Features of Soliswatt Energy Storage Container Energy Storage System
1?Multilevel protection strategy to ensure the safe and stable operation of the system. 2?The technology is mature ...

1MW Battery Energy Storage System

The MEGATRON 1MW Battery Energy Storage System (AC Coupled) is an essential component and a critical supporting technology for smart grid and renewable energy ...



Sunway 300Kw 500Kw 800Kw 1Mw Battery Container Energy Storage ...

Application Scenario of Sunway Energy Storage Container Energy Storage System 1. PV station 2. Wind Grid side power station 3. Frequency regulation 4. Grid side 5. Industrial and ...

Containerized Bess 500kwh 1MW 20FT 40FT Container Solar Storage ...

Containerized Bess 500kwh 1MW 20FT 40FT Container Solar Storage System This scheme is applicable to the distribution system composed of photovoltaic, energy ...



Contact Us

For catalog requests, pricing, or partnerships, please contact:

BLINK SOLAR

Phone: +48-22-555-9876

Email: info@blinkartdesign.pl

Website: <https://www.blinkartdesign.pl>

Scan QR code to visit our website:

