

BLINK SOLAR

1-input 1-output solar combiner box in Manchester UK



Overview

What is a 'combiner box' in a solar PV system?

A "Combiner Box" in the context of a solar PV system is to combine the output of several solar strings together. When a solar power system consists of more than one "string", each input string is connected to a fuse terminal.

What is a PV next combiner box?

Our flexible and compact PV Next combiner box was awarded the German Design Award 2023 in Gold. The modular design, the safe thermal and mechanical functionality of all components and the flexible connection types are just some of the advantages that make installation, maintenance and monitoring with PV Next easy.

Do you need a solar combiner box?

Adaptability: While smaller residential systems may not require a combiner box if they have only one to three strings, larger systems—ranging from four strings up to thousands—benefit greatly from their use. This adaptability makes combiner boxes suitable for both residential and commercial applications. II. Basics of PV Solar Combiner Boxes.

What is a combiner box?

In utility-scale solar ventures, combiner boxes are essential for managing large arrays of solar panels, often consisting of thousands of strings. For instance, in large solar farms, combiner boxes streamline the connection process by consolidating the output from multiple solar strings into a single output for the inverter.

1-input 1-output solar combiner box in Manchester UK



DC Combiner Box - PAD Online

DC Combiner Boxes are a key component in PV systems, designed to consolidate multiple DC inputs from solar panel strings into a single DC output. They allow the power generated by ...

Solar PV Combiner Box with Lightning Protection, 1 Input 1 Output...

DC 600V PV Combiner Box. Include: 1100V Fuse holder with 15A fuse, 2P DC 600V MCB 32A, 2P DC SPD 600V. Model Number :8-1-1-600V. Origin :Mainland China.



Solar PV DC Combiner Box Surge Lightning Protection 1 input 1 ...

This PV combiner supports PV array input, primary combination, fast circuit shutdown, lightning protection, anti-reverse connection, overload protection, etc. ?Multipurpose?: The solar ...

PV Next combiner box

PV Next is the first combiner box worldwide based on a standardised printed circuit board design. The standardised concept leads to learning effects ...



EKDBS-PV1/1-IFS-1000 1000V PV Combiner Box , Commercial Solar

Professional 1000V single-string PV combiner box with Type 2 surge protection, 15A fuse, and DC isolator. IP65 rated for commercial and industrial solar installations.

The Ultimate Guide to Solar Combiner Boxes: ...

Explore the comprehensive guide to PV Solar Combiner Boxes: Learn about types, components, selection criteria, installation best ...



Combiners o Combiner Boxes for Solar PV ...

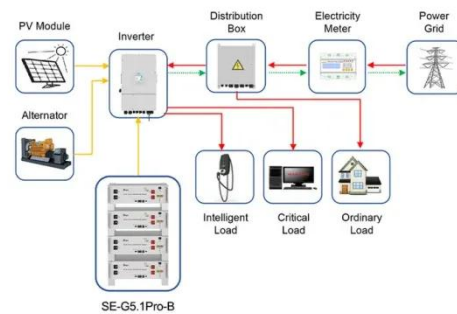
A "Combiner Box" in the context of a solar PV system is to combine the output

of several solar strings together. When a solar power system ...



Open Electric PV 1 strings input 1 output array ...

SHLX-PV1 / 1 PV combiner box apply to the inverter which have maximum input voltage DC550V / DC1000V, PV input line number 1, the output of 1, MPPT number of 1.



Application scenarios of energy storage battery products

PV Combiner Boxes - VoltaconSolar

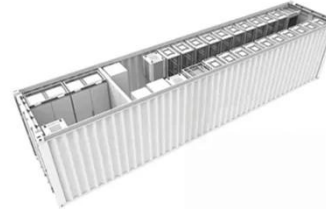
The use combiner box is essential equipment for all photovoltaic systems. It is considered the interface between the solar inverter and solar panels. The users and installers have also ...



Combiners o Combiner Boxes for Solar PV Systems

A "Combiner Box" in the context of a solar PV system is to combine the output

of several solar strings together. When a solar power system consists of more than one "string", each input ...



Combiner Box (1 input 1 output)600VDC/1000VDC for Solar

...

PV DC Combiner Box (1 input 1 output)600VDC/1000VDC IP65 DC string box is designed for 1 string PV system. For surge protection and over-load protection at solar DC ...

PV Next combiner box

PV Next is the first combiner box worldwide based on a standardised printed circuit board design. The standardised concept leads to learning effects for the installer.



The Ultimate Guide to Solar Combiner Boxes: From Basics to ...

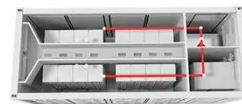
Explore the comprehensive guide to PV Solar Combiner Boxes: Learn about

types, components, selection criteria, installation best practices, maintenance, and advanced ...



PV Combiner Boxes - VoltaconSolar

The use combiner box is essential equipment for all photovoltaic systems. It is considered the interface between the solar inverter and solar panels. ...



Contact Us

For catalog requests, pricing, or partnerships, please contact:

BLINK SOLAR

Phone: +48-22-555-9876

Email: info@blinkartdesign.pl

Website: <https://www.blinkartdesign.pl>

Scan QR code to visit our website:

